



JWDS-2244OSC-M

**Oscillating Drum Sander
Zylinderschleifmaschine
Ponceuse à cylindre oscillant**

Original:

GB

Operating Instructions

Translations:

D

Gebrauchsanleitung

F

Mode d'emploi



TOOL FRANCE SARL

9 Rue des Pyrénées, 91090 LISSES, France

www.jettools.com



M-723544OSCKM

2019-06

**CE-Conformity Declaration
CE-Konformitätserklärung
Déclaration de conformité CE**

Product / Produkt / Produit:

Drum sander / Zylinderschleifmaschine / Ponceuse à cylindre

JWDS-2244OSC-M

723544OSCK-M

Brand / Marke / Marque:

JET

Manufacturer / Hersteller / Fabricant:

TOOL FRANCE SARL

9 Rue des Pyrénées, 91090 LISSES, France

We hereby declare that this product complies with the regulations
Wir erklären hiermit, dass dieses Produkt der folgenden Richtlinie entspricht
Par la présente, nous déclarons que ce produit correspond aux directives suivantes

2006/42/EC

Machinery Directive / Maschinenrichtlinie / Directive Machines

2014/30/EU

Electromagnetic compatibility / elektromagnetische Verträglichkeit / compatibilité électromagnétique

2011/65/EU

RoHS directive / RoHS-Richtlinie / Directive RoHS

designed in consideration of the standards
und entsprechend folgender zusätzlicher Normen entwickelt wurde
et été développé dans le respect des normes complémentaires suivantes

EN ISO 12100:2010

EN 60204-1:2006+A1:2009

EN 61000-6-2:2005

EN 61000-6-4:2007+A1:2011

Responsible for the Documentation / Dokumentations-Verantwortung / Responsabilité de Documentation:

Head Product-Mgmt / Leiter Produkt-Mgmt. / Resp. de Gestions Produits

TOOL FRANCE SARL



2019-05-24 Christophe SAINT SULPICE, General Manager

TOOL FRANCE SARL

9 Rue des Pyrénées, 91090 LISSES, France

GB - ENGLISH

Operating Instructions

Dear Customer,

Many thanks for the confidence you have shown in us with the purchase of your new JET-machine. This manual has been prepared for the owner and operators of a **JET JWDS-2244OSC-M oscillating drum sander** to promote safety during installation, operation and maintenance procedures. Please read and understand the information contained in these operating instructions and the accompanying documents. To obtain maximum life and efficiency from your machine, and to use the machine safely, read this manual thoroughly and follow instructions carefully.

Table of Contents

Section	Page
1. Declaration of conformity.....	4
2. Warranty.....	4
3. Safety.....	4
3.1 Authorized use.....	4
3.2 General safety notes.....	4
3.3 Remaining hazards.....	5
3.4 Labels and positions.....	5
4.0 Specifications.....	6
5.0 Features and Terminology.....	7
6.0 Setup and assembly.....	8
6.1 Shipping contents.....	8
6.2 Tools required for assembly.....	8
6.3 Assembling stand.....	9
6.4 Mounting sander to stand.....	9
6.5 Handle and hose hanger.....	9
6.6 Infeed and outfeed tables (optional accessory).....	9
6.7 Dust collection.....	10
6.8 Installing abrasives.....	10
7.0 Electrical connections.....	11
8.0 Adjustments.....	11
8.1 Drum Height Control.....	11
8.2 Depth scale.....	11
8.3 Infeed/Outfeed table adjustment (Optional).....	11
8.4 Conveyor belt tension/tracking.....	11
8.5 Inspecting drum alignment.....	12
8.6 Tension roller adjustment.....	13
9.0 Operations.....	13
9.1 Drum and conveyor motor operation.....	14
9.2 Oscillating mode.....	14
9.3 Basic Operating Procedure.....	14
9.4 Setting depth of cut.....	14
9.5 Establishing drum height.....	14
9.6 Selecting SandSmart™ feed rates.....	14
9.7 Maximum performance tips.....	15
10.0 User-maintenance.....	16
10.1 Cleaning and lubrication.....	16
10.2 Drum maintenance.....	17
10.3 Conveyor belt replacement.....	17
10.4 Commutator brush inspection.....	17
10.5 Additional servicing.....	18
11.0 Tracker kit.....	18
12.0 Abrasives.....	19
12.1 Selecting drum abrasives.....	19
12.2 Cleaning abrasive strips.....	19
12.3 Increasing abrasive life.....	19
12.4 Abrasive selection guide.....	19
13.0 Troubleshooting.....	20
14.0 Optional accessories.....	21

1. Declaration of conformity

On our own responsibility we hereby declare that this product complies with the regulations listed on page 2. Designed in consideration with the standards.

2. Warranty

TOOL France SARL guarantees that the supplied product(s) is/are free from material defects and manufacturing faults.

This warranty does not cover any defects which are caused, either directly or indirectly, by incorrect use, carelessness, damage due to accidents, repairs or inadequate maintenance or cleaning as well as normal wear and tear.

Further details on warranty (e.g. warranty period) can be found in the General Terms and Conditions (GTC) that are an integral part of the contract.

These GTC may be viewed on the website of your dealer or sent to you upon request.

TOOL France SARL reserves the right to make changes to the product and accessories at any time.

3. Safety

3.1 Authorized use

This drum sander is designed for sanding wood and similar materials only. Sanding of other materials is not permitted and may be carried out in specific cases only after consulting with the manufacturer.

The machine is not suitable for wet sanding.

The proper use also includes compliance with the operating and maintenance instructions given in this manual.

The machine must be operated only by persons familiar with its operation and maintenance and who are familiar with its hazards.

The required minimum age must be observed.

The machine must only be used in a technically perfect condition.

When working on the machine, all safety mechanisms and covers must be mounted.

In addition to the safety requirements contained in these operating instructions and your country's applicable regulations, you should observe the generally recognized technical rules concerning the operation of woodworking machines.

Any other use exceeds authorization. In the event of unauthorized use of the machine, the manufacturer renounces all liability and the

responsibility is transferred exclusively to the operator.

3.2 General safety notes

Woodworking machines can be dangerous if not used properly. Therefore the appropriate general technical rules as well as the following notes must be observed.



Read and understand the entire instruction manual before attempting assembly or operation.



Keep this operating instruction close by the machine, protected from dirt and humidity, and pass it over to the new owner if you part with the tool.

No changes to the machine may be made.

Daily inspect the function and existence of the safety appliances before you start the machine. Do not attempt operation in this case, protect the machine by unplugging the power cord.

Before operating the machine, remove tie, rings, watches, other jewellery, and roll up sleeves above the elbows. Remove all loose clothing and confine long hair.

Wear safety shoes; never wear leisure shoes or sandals.

Always wear the approved working outfit:

- eye protection
- expiratory protection
- dust protection



Do not wear loose clothes and gloves while operating this machine.

Install the machine so that there is sufficient space for safe operation and workpiece handling.

Keep work area well lighted.

The machine is designed to operate in closed rooms and must be bolted stable on firm and levelled table surface or on the supplied cabinet stand.

Make sure that the power cord does not impede work and cause people to trip. Keep the floor around the machine clean and free of scrap material, oil and grease.

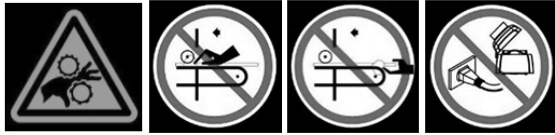
Stay alert! Give your work undivided attention.

Use common sense. Do not operate the machine when you are tired.

Keep an ergonomic body position. Maintain a balanced stance at all times.

Do not operate the machine under the influence of drugs, alcohol or any medication. Be aware that medication can change your behaviour.

Never reach into the machine while it is operating or running down.



Always close the drum cover before you start the machine.

Keep your hands distant to drum housing and conveyor belt when feeding the work piece.

Keep children and visitors a safe distance from the work area.

Never leave a running machine unattended. Before you leave the workplace switch off the machine.

Do not operate the electric tool near inflammable liquids or gases. Observe the fire fighting and fire alert options, for example the fire extinguisher operation and place.

Do not use the machine in a damp environment and do not expose it to rain.

Sanding dust is explosive and can also represent a risk to health. Always use a suitable dust extraction device.

Before machining, remove any nails and other foreign bodies from the workpiece.

Work only with well sharpened tools.

Machine only stock which rests securely on the table.

Always close the chuck cover before you start the machine.

Specifications regarding the maximum or minimum size of the workpiece must be observed.

Do not remove chips and workpiece parts until the machine is at a standstill.

Do not stand on the machine.

Connection and repair work on the electrical installation may be carried out by a qualified electrician only.

Have a damaged or worn power cord replaced immediately.

Make all machine adjustments or maintenance with the machine unplugged from the power source.



Protect the environment, dispose of the packing in an environmentally friendly manner.

Your appliance contains valuable materials which can be recovered or recycled. Please leave it at a specialized institution.



This symbol indicates separate collection for electrical and electronic equipment required under the WEEE Directive (Directive 2012/19/EC) and is effective only within the European Union.

3.3 Remaining hazards

When using the machine according to regulations some remaining hazards may still exist.

The moving sanding sleeve can cause injury.

Risk of kickback. The workpiece is caught by the moving sanding sleeve and thrown back to the operator.

Thrown workpiece parts can lead to injury.

Sanding dust and noise can be health hazards. Be sure to wear personal protection gear such as safety goggles and dust mask. Use a suitable dust exhaust system.

Defective sanding abrasives can cause injuries.

The use of incorrect mains supply or a damaged power cord can lead to injuries caused by electricity.

3.4 Labels and positions

A: Safety warning

B: Sanding drum & Conveyor belt running direction

C: Loosen table lock before adjusting table parallel



Fig. A

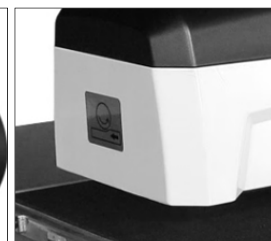


Fig. B



Fig. C

4.0 Specifications

Model number **JWDS-2244OSC-M**

Stock numbers:

Sander with closed stand 723544OSCK-M
 Closed stand only (provided standard) 723544CS
 Folding infeed/outfeed tables 723551 (optional)
 Digital readout 723552 (optional)

Motor and electricals:

Drum motor:

Motor type induction motor
 Output power 1.3kW (1.75 HP)
 Voltage ~230V, PE, 50Hz
 Listed FLA (full load amps) 9.5 A
 Motor speed 1400 /min
 Starting amps 28 A
 Running amps (no load) 4.3 A
 Start capacitor 300µF 125VAC
 Running capacitor 20 µF 300VAC

Conveyor motor:

Motor type totally enclosed DC motor
 Horsepower 40 W
 Motor speed 54 /min

Oscillating motor:

Motor type totally enclosed DC motor
 Horsepower 40 W
 Motor speed 120 /min

Power Switch magnetic switch
 Power cord H05RN-F, 3x1.0mm², 1830 mm
 Recommended circuit and fuse/breaker size ¹ 16 A

Sound emission ² 68 dB idling; 70 dB in operation
 Acoustic pressure level LpA (EN ISO 11202)

Capacities:

Maximum board width (single pass) 560 mm
 Maximum board width (two passes) 1120 mm
 Maximum board thickness 102 mm
 Minimum board length 60 mm
 Minimum board thickness ³ 0.8 mm

Main materials:

Closed stand steel
 Drum extruded aluminum
 Extension tables (optional) steel
 Conveyor table steel
 Drum height adjustment handle aluminum and plastic

Sanding drum:

Drum dimension dia. 127 x 584 mm
 Drum speed 1400 /min
 Oscillating frequency infinitely variable, 0 -120 /min
 Oscillating stroke 19 mm
 Sanding paper installed 80 grit
 Drum elevation per one rotation of hand wheel 1.6 mm

¹ Subject to local/national electrical codes.

² The specified values are emission levels and are not necessarily to be seen as safe operating levels. As workplace conditions vary, this information is intended to allow the user to make a better estimation of the hazards and risks involved only.

³ Use of a carrier or backer board (not provided) is recommended for cuts 1.5 mm or less. See sect. 9.3.

Conveyor:

Conveyor speed..... infinitely variable, 0 -3 m/min
Conveyor table dimensions..... 660 x 552 mm
Conveyor height from floor..... 857 mm

Dust collection:

Dust port outside diameter 100 mm
Minimum extraction volume required 560 m³/h

Dimensions:

Shipping carton, base machine 1320 x 700 x 718 mm
Shipping carton, closed stand..... 1030 x 508 x 770 mm
Assembled dimensions..... 1200 x 610 x 1320 mm

Weights:

Net weight 98 kg
Shipping weight..... 131 kg

The specifications in this manual were current at time of publication, but because of our policy of continuous improvement, JET reserves the right to change specifications at any time and without prior notice, without incurring obligations.

5.0 Features and Terminology

The illustration below shows the major components and features of the JWDS-2244OSC-M Sander. These are referenced throughout the manual and will help to familiarize you with the operation and functions of the machine.

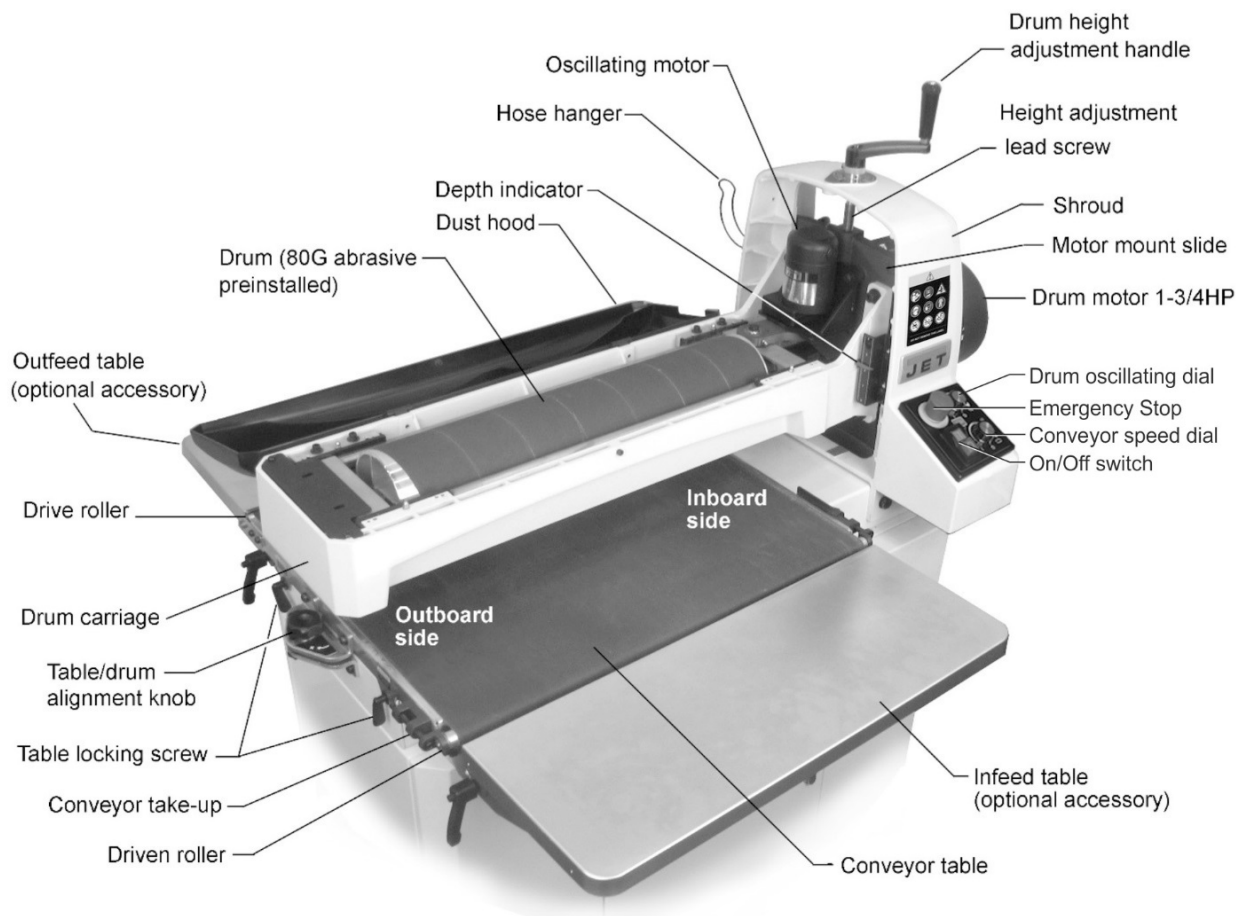


Figure 5-1: features and terminology

⚠WARNING

Read and understand the entire contents of this manual before attempting set-up or operation! Failure to comply may cause serious injury.

NOTE: Figures in this manual may show optional accessories. Depending upon your model, these may be purchased separately.

6.0 Setup and assembly

Open boxes and check for shipping damage. Report any damage immediately to your distributor and shipping agent. Do not discard any shipping material until the Drum Sander is assembled and running properly.

Compare the contents of your boxes with the following parts list to make sure all parts are intact. Any missing parts should be reported to your distributor. Read this instruction manual thoroughly for assembly, maintenance and safety instructions.

6.1 Shipping contents

Box #1: (see Figure 6-1)

- 1 Sander with conveyor table (A)
- 1 Height adjust handle (B)
- 1 Hose hanger (C)
- 2 Socket head screw M6x12 (C1)
- 2 Flat washer 6mm (C2)
- 1 Instruction manual
- 1 Spare parts list

Box #2: Infeed and outfeed tables
(Optional, see Figure 6-2)

- 2 Infeed/outfeed tables (D)
- 1 Rear (short) fixed bracket (E)
- 1 Front (long) fixed bracket (F)
- 2 Folding table brackets (G, H)
- 1 Hardware package, includes:
 - 4 Locking handles (HP1)
 - 4 Disc washers (HP2)
 - 4 Bronze washers (HP3)
 - 16 Socket head screws M8x16 (HP4)
 - 16 Flat washers M8 (HP5)
 - 4 Socket head screws M6x20 (HP6)
 - 4 Flat washers M6 (HP7)
 - 4 Eccentric cams (HP8)

6.2 Tools required for assembly

5mm and 6mm hex (Allen) wrenches.
Straight edge (such as straight steel bar or carefully jointed board).



Figure 6-1: Sander contents

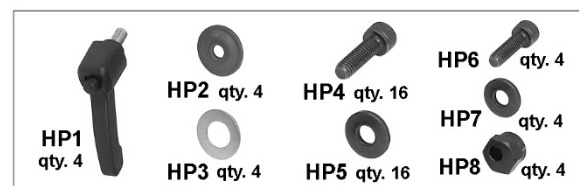
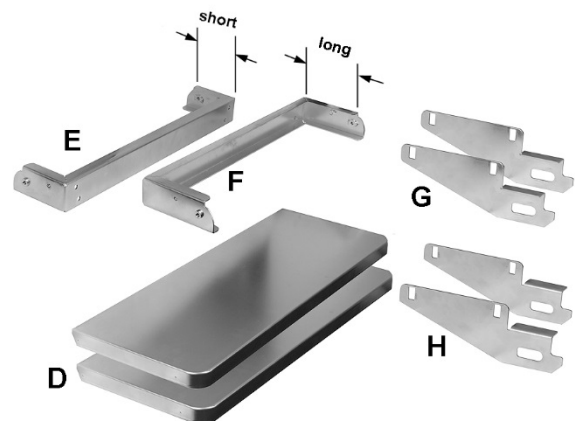


Figure 6-2: Infeed/Outfeed Tables (OPTIONAL)

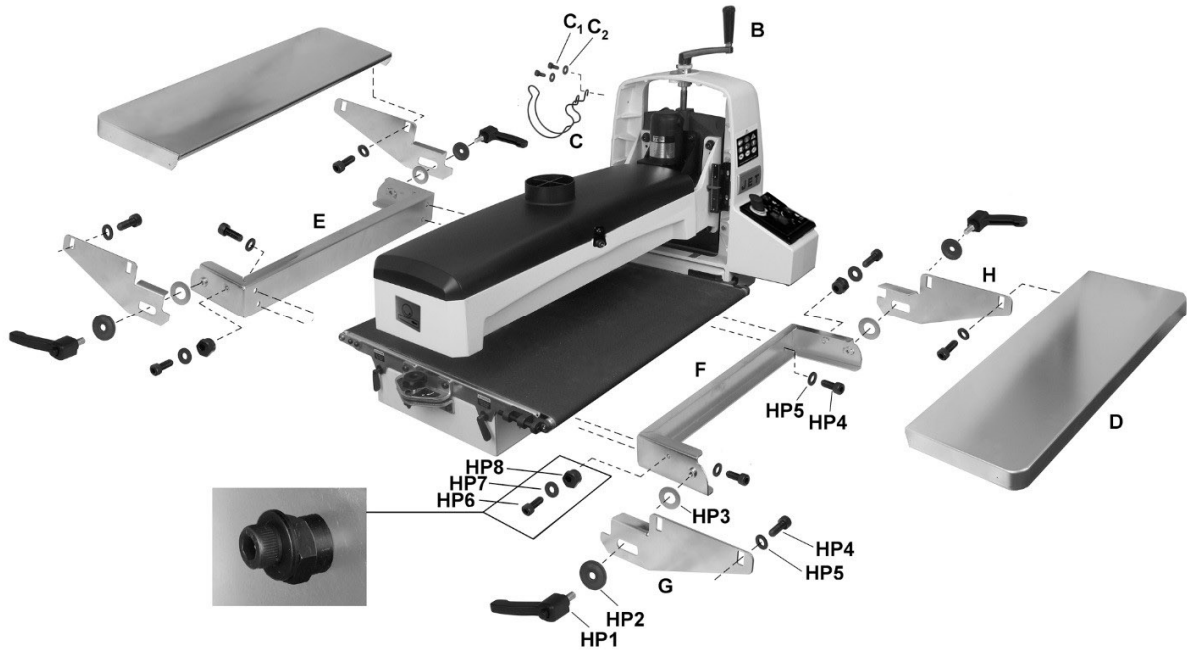


Figure 6-3: Assembly of Sander and OPTIONAL Infeed/Outfeed Tables

6.3 Assembling stand

A closed stand is provided standard with the JWDS-2244OSC-M Sander. Refer to the assembly instructions that accompany the stand.

6.4 Mounting sander to stand

The closed stand can be oriented with storage door towards the front or back of machine.

1. Lift drum head assembly out of the box, and temporarily rest it crosswise on top of stand.

⚠WARNING Use an assistant to help lift the sander.

2. Position sander atop stand so that the threaded holes of base align with holes in the stand.
3. Fasten base to stand (from beneath) with the 6 provided screws and washers. Tighten screws securely.

6.5 Handle and hose hanger

1. Install height adjustment handle (B, Fig 6-3) onto spindle and tighten set screw.
2. Raise drum and remove shipping block from between drum and conveyor.
3. Install hose hanger (C) with screws and washers (C₁/C₂).

6.6 Infeed and outfeed tables (optional accessory)

The sander must be bolted to the stand or a work table when using these table extensions. Maximum working load of each table is 16kg. Fasteners are provided with the extension tables.

1. Install infeed and outfeed brackets (F, E, Figure 6-3) to the threaded holes in sander base with socket head screws and flat washers (HP4/5). Make sure left and right brackets are oriented as shown. The brackets should be flush against the base. NOTE: Long brackets mount to front (infeed); short brackets to rear (outfeed).
2. Tighten screws (HP4)
3. Install eccentric cam (HP8) with screw and washer (HP6/7). *Finger tighten only at this time.*
4. Install table brackets (G,H), using handles and washers (HP1/2/3).
5. Place extension tables over brackets and secure with socket head screws and washers (HP4/5). *Finger tighten only.*
6. Position tables slightly below conveyor belt surface for proper support of stock. To check position, place a straight-edge on one side of conveyor table under drum and extending out over the extension table.

7. Lower drum to securely hold straight-edge in place. See Figure 6-4. Raise infeed/outfeed table until table surface is slightly below conveyor belt surface. Tighten screws on that side.
8. Reposition straight-edge to other side of table and repeat.
9. Loosen screw (HP6) and rotate eccentric cam (HP8) until it contacts lip of table bracket. Do this on both sides of infeed table. This ensures infeed table will remain level with conveyor table each time it is returned to operating position. Tighten screws (HP6).

If stock being sanded is bowed, warped or otherwise inconsistent, be sure tables are lower than top of conveyor table.

If stock slips on conveyor, the tables may be positioned too high. Lower tables to allow stock to remain in contact with conveyor.

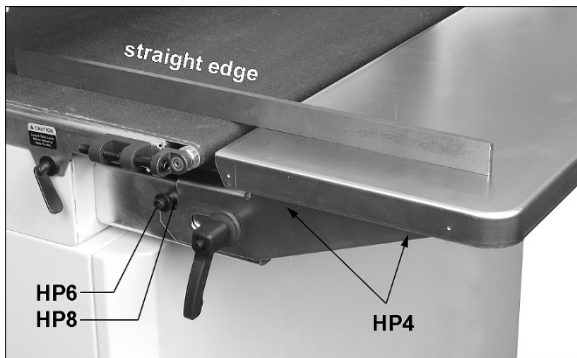


Figure 6-4: extension table alignment

6.7 Dust collection

Dust collection is mandatory for a safe work environment and extended abrasive life. The machine is equipped with a 100mm dust collection port. Secure a 100mm dust collection hose to the port with a hose clamp (Figure 6-5), and connect to a dust collector (minimum 560m³/h).



Figure 6-5 (hose and clamp not included)

6.8 Installing abrasives

Proper attachment of the abrasive strip to the drum is critical to achieving top performance from your drum sander.

An 80-grit, 76mm wide abrasive strip is pre-installed on the drum.

(TIP: If you are using an after-market abrasive, use a new JET-supplied abrasive as a template to quickly cut a new strip.

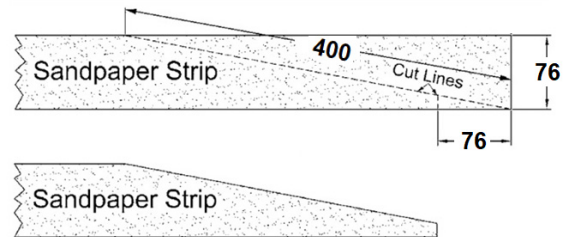


Figure 6-6: abrasive trimming

To install abrasive strip:

1. Press fastener lever (Figure 6-7) on outboard (left) end of drum, and insert tapered end of abrasive through slit in fastener, as shown. Insert approximately 75mm of abrasive strip into fastener. Align tapered edge of abrasive strip with left edge of drum.

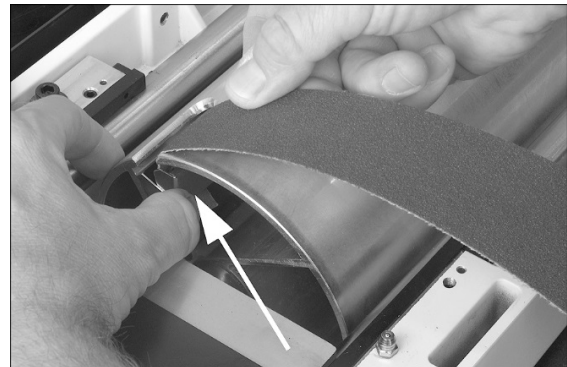


Figure 6-7

2. Release fastener lever to secure end of strip.
3. Begin wrapping abrasive around drum. The tapered edge of strip end should follow as close as possible to edge of drum.
4. Continue to wrap abrasive in spiral fashion by rotating drum with one hand and guiding strip with the other. See Figure 6-8.

Successive windings of strip must *not* have any *overlap*. They should be flush with previous windings or with a slight gap between.

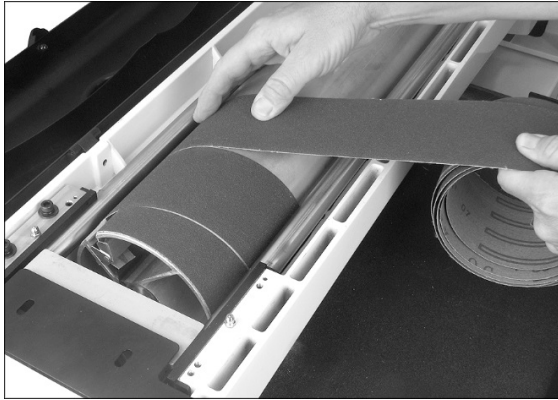


Figure 6-8

5. Press inboard take-up lever (Figure 6-9) and insert trailing end of strip as far as it will go. If necessary, trim tapered end of abrasive strip.
6. Release inboard take-up lever to secure strip.

All abrasive strips will stretch over time as they are used, and may stretch enough to allow the take-up lever to reach its lowest position so that it cannot maintain tension on the strip. If this occurs, follow the above procedures to reset the take-up lever.

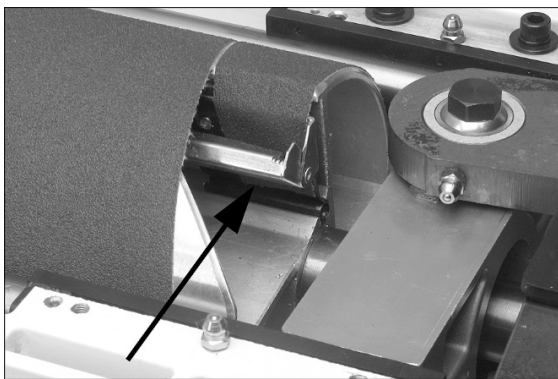


Figure 6-9

7.0 Electrical connections

⚠WARNING All electrical connections must be done by a qualified electrician in compliance with all local codes and ordinances. Failure to comply may result in serious injury.

The Sander is rated at 230V power. The sander comes with a plug designed for use on a circuit with a grounded outlet.

It is recommended that the sander be connected to a dedicated 16 amp circuit with circuit breaker or fuse. If connected to a circuit protected by fuses, use time delay fuse marked "T". **Local codes take precedence over recommendations.**

8.0 Adjustments

⚠WARNING Disconnect sander from power source before making adjustments.

8.1 Drum Height Control

Drum height and depth of cut are controlled by height adjustment handle (see Figure 5-1). Rotating handle clockwise lowers drum, counter-clockwise raises it. One revolution of handle will move drum approximately 1.6mm (or 1/4 turn = approx. 0.4mm), as shown on the label below handle.

8.2 Depth scale

The depth scale indicates distance between bottom of sanding drum and top of conveyor belt. Adjustment is performed by "zeroing" the scale.

1. Unplug sander from power source.
2. With an abrasive strip on drum, lower drum to where it touches top of conveyor belt.
3. At this drum position, the depth scale pointer should align with zero mark on scale. If it does not, loosen two screws and raise or lower scale until zero aligns with the pointer.
4. Retighten screws.

Note: Depending on desired accuracy, you may need to repeat this process when installing different abrasive grits.

8.3 Infeed/Outfeed Table Adjustment (OPTIONAL)

The optional tables can be swung down to allow easier access for abrasive wrapping or other adjustments.

Loosen handles on each side, slide table away from machine and then down. See Figure 8-2.

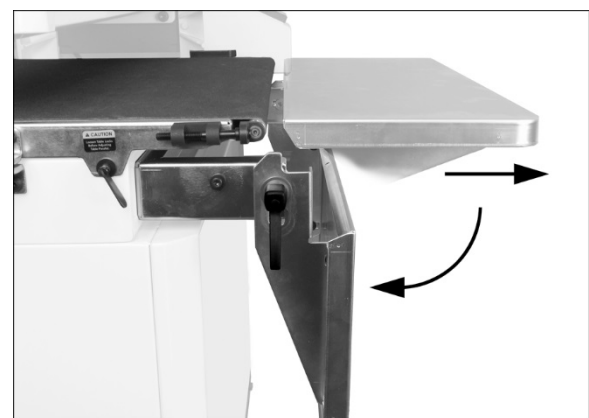


Figure 8-2

8.4 Conveyor belt tension/tracking

Conveyor belt tension adjustment may be necessary during the break-in period to compensate for belt stretching.

8.4.1 Belt tension adjustment

1. Unplug sander from power source.
2. Adjust take-up screw (Figure 8-3) with 5mm hex wrench. Do this on both sides of conveyor to obtain approximately equal tension on both sides of sanding belt when taut.

NOTE: Insufficient belt tension will cause slippage of conveyor belt on drive roller during sanding operation. The conveyor belt is too loose if it can be stopped by hand pressure applied directly to top of moving conveyor belt. Excessive belt tension can result in bent rollers, bent brackets, and/or premature wearing of bushings or conveyor belt.



Figure 8-3: belt tension adjustment

8.4.2 Tracking adjustment

A belt tracks correctly when it moves centrally on the conveyor rollers without drifting to either side. Tracking adjustments are made while conveyor belt is running.

1. Unplug sander from power source.
2. Make sure proper belt tension has been achieved (see sect. 8.4.1).
3. Turn on conveyor and set to maximum speed. Watch for tendency of conveyor belt to drift to one side of conveyor. If it drifts, tighten or loosen take-up screw.

Note: Adjust take-up screw only 1/4 turn at a time. Allow time for belt to react to adjustments before proceeding further.

Try to avoid over adjustments, as this may affect belt tension. If tension is affected, it may become necessary to use both take-up screws to accomplish tensioning and tracking.

8.4.3 Trackers

The sander comes equipped with “Trackers”, ceramic guides that reduce the amount of adjustments needed to keep conveyor belt tracked (centered) on conveyor table. These guides have a magnetic backing to keep them in place. If a Tracker wears through, it can be reversed by turning it over. See sect. 11.0 Tracker Kit for more information about re-setting trackers.

8.5 Inspecting drum alignment

The sanding drum must be parallel to conveyor table for proper machine operation. The sanding drum comes pre-aligned from the manufacturer. If a problem with drum alignment should occur, follow the instructions below.

First, inspect the alignment with a gauge of some kind. The following procedure uses a steel straight-edge as a gauge.

1. Unplug sander from power source.
2. Open dust cover and remove abrasive strip from drum.
3. Insert gauge between drum and conveyor table at outboard side of drum (A, Figure 8-4).

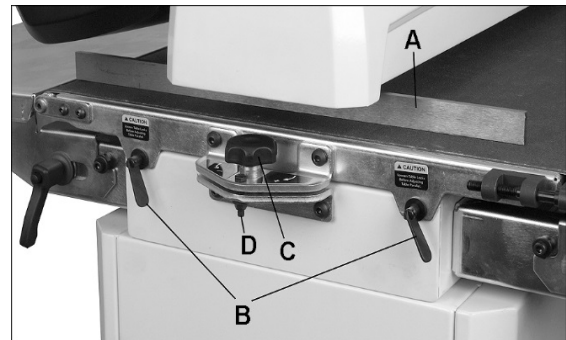


Figure 8-4: drum alignment

4. With dust cover open, lower sanding drum while slowly rotating drum by hand, until drum lightly contacts gauge. **NOTE:** Make sure drum contacts gauge, not just the tension rollers.
5. Remove gauge and place under drum at inboard side.
6. If drum does not contact gauge equally on both ends of drum, alignment is needed.

To align conveyor table with drum:

7. Loosen both table locking screws (B)



Loosen both table locks before adjusting drum alignment.

8. Turn knob (C) to raise or lower outboard end of table. Follow directional marks on label (+ raises, - lowers).

9. Retighten table lock screws (B).

8.5.1 Fine-tuning drum alignment

Note: This is an operational test for sanding boards wider than the drum. Perform this procedure only after you have become familiar with sander operation.

When sanding boards wider than the drum, table alignment is critical and table must be adjusted exactly level to slightly lower on the outboard end. This will prevent any ridges from developing in the stock. Always check this on a piece of scrap wood, as follows, before sanding the work piece.

1. Run a piece of scrap wood approximately 150mm wide by 700mm to 1000mm long through the sander sideways so that end of board extends past outboard side of drum.
2. Without changing drum height, rotate board 180° and sand the same side.
3. If a ridge is visible where the drum overlaps, loosen both table locks (B, Figure 8-4) and lower table at outboard end slightly by turning knob (C).
4. Repeat this process until the ridge is eliminated and entire board is sanded.

Note: When sanding narrow stock (560mm or less), return conveyor table to parallel position. Turn knob opposite direction until lock nut (D, Figure 8-4) is contacted. The lock nut provides a positive stop for table parallelism.

8.6 Tension roller adjustment

The infeed and outfeed rollers are tensioned to provide downward pressure on the workpiece to prevent slippage on the feed conveyor. Tension rollers have been set by the manufacturer, but should be inspected and may require adjustment as the sander receives use.

⚠WARNING Improperly adjusted tension rollers (i.e. those set too high, rendering them non-functional) could allow kickback of pieces being sanded.

You can increase or decrease tension of roller on outboard side by inserting screwdriver through holes in plate (Figure 8-5) and turning screws on the tension roller brackets. The plate can be removed for easier access. The screws at inboard side of drum can be adjusted in similar manner.

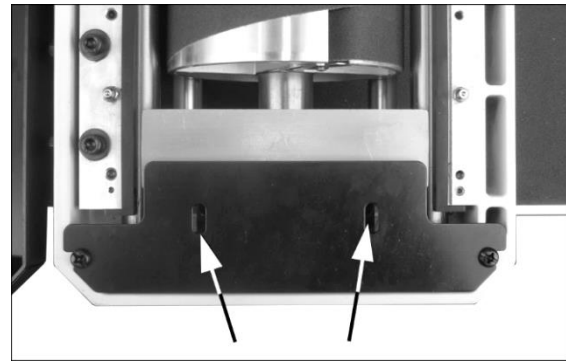


Figure 8-5: tension adjustment screws

Too much tension roller pressure can result in a “snipe” mark, which is a visible line running across the width of the board and located approximately 60mm from end of board.

If snipe occurs on the leading end of board, adjust outfeed tension roller. If the snipe occurs on trailing end of board, adjust infeed tension roller.

9.0 Operations

Before using your drum sander, review the previous sections on initial set-up and adjustment. Before operating, make sure an abrasive strip is mounted and a proper dust collection system is connected.

9.1 Drum & conveyor motor operation

1. Connect power supply to machine.
2. Disengage emergency stop by clockwise turning the red button or pulling it up (A, Figure 9-1).

Note: Error Indicator (D, Figure 9-1) may flash continuously to remind that the conveyor speed dial is NOT set at OFF position before starting the operation. The control system is designed to prevent the conveyor belt from being activating accidentally. If conveyor belt motor doesn't work, turn the dial (C, Figure 9-1) to OFF and re-dial.

3. Turn on the On/Off switch (B) to start drum motor.
4. Rotate conveyor speed dial (C) clockwise to start and increase speed of conveyor.

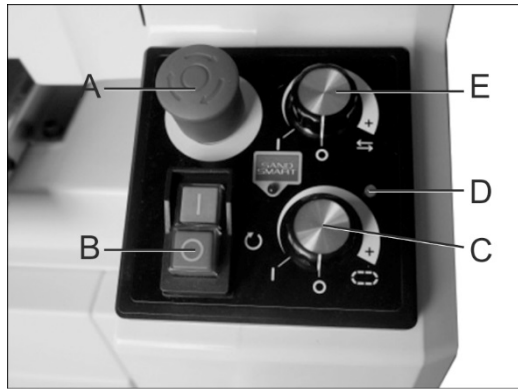


Figure 9-1: control panel

9.2 Oscillation mode

The sander can be used with sanding drum in fixed position or in oscillation mode. The top dial (Figure 9-1, E) activates oscillation mode.

NOTE: If changing from oscillation mode to fixed mode, allow drum to center itself over conveyor before turning off oscillation mode.

9.3 Basic Operating Procedure

1. Establish depth of cut.
2. Start dust collection system.
3. Start sanding drum.
4. Start oscillation and select speed.
5. Start conveyor and select feed rate.
6. Feed stock through machine.

To feed stock through the sander, rest and hold board to be sanded on conveyor belt, allowing conveyor belt to carry board into drum. Once stock is halfway through, reposition yourself to outfeed side of machine to receive and control board as it exits.

CAUTION Board will be forced down against conveyor table as it begins feeding, causing pinching hazard. Keep fingers away.

CAUTION Do not open drum hood until drum comes to a complete stop.

9.4 Setting depth of cut

Adjusting the drum sander for proper contact between abrasive and stock determines the depth of cut. The depth of cut is controlled by the height adjustment handle.

It may take experimentation to determine proper depth of cut, given the variables of abrasive grit, type of wood and feed rate. For best results, use scrap wood to practice sanding and to develop skill and familiarity with the machine before doing finish work.

A combination of several variables will determine proper depth of cut to use, including the following:

1. Abrasive type and grit size.
2. Width of piece being processed.
3. Hardness of piece.
4. Feed rate of conveyor belt.

NOTE: The use of a carrier or backer board (not provided), is recommended for cuts 1,5mm or less. This is a flat board, usually of wood or MDF, slightly larger than the workpiece and of even thickness, placed beneath the workpiece as it is fed through the sander. The workpiece may be attached to the carrier with rubber cement, carpenter's tape or some other easily removable adhesive. However, some operators use a rubber or textured surface on the carrier to help stabilize the workpiece by simple friction.

9.5 Establishing drum height

A good rule of thumb when sanding with grits finer than 80:

1. To establish drum height, position stock under the drum. Do NOT start drum.
2. Lower drum to the stock thickness, making sure drum can still be rotated by hand while just contacting stock.

WARNING Do not start drum while in contact with stock.

3. Without changing drum height, turn on conveyor and run the stock out from under the drum. Start sanding drum and sand stock at that same position.
4. With the drum operating, feed stock under the drum from the infeed side and against the rotation of the drum. Always maintain control of the stock to avoid kickback and/or slippage.

For sanding with grits coarser than 80, you can lower the drum slightly.

Always maintain control of stock. Through practice you will learn the proper depth of cut considering the variables above.

9.6 Selecting SandSmart™ feed rates

A faster feed rate allows faster sanding but fewer revolutions of the drum per inch of sanding. A slower feed rate provides more revolutions of the drum per inch of sanding to allow a greater depth of cut and smooth sanding.

Begin experimenting with the feed rate set at about 50% of maximum. The best feed rate will depend on a number of factors, including type of stock, grit and depth of cut used, and whether the stock is fed directly in line with the conveyor table or at an angle.

If the drum motor is lugging down, if conveyor belt is slipping, or if you observe a ripple effect on the stock, slow the feed rate. If the finish is smooth and the machine is not overworking, you can experiment using a faster feed rate.

The SandSmart™ controller continuously monitors the load on the drum motor, and automatically regulates the speed of the conveyor motor to maintain the highest feed rate without overload.

When the red indicator light (A, Figure 9-2) comes on, the SandSmart™ control has detected too great a depth of cut and/or too fast a feed rate.

If the load on the drum motor increases, the SandSmart™ control will decrease the conveyor feed rate and will stop the conveyor under extreme conditions. If the load on the drum decreases, SandSmart™ will increase the feed rate but will not increase it faster than the manual setting on the speed adjustment label.

The best and most consistent finish will be achieved if the conveyor does not change speed during operation.



Figure 9-2: SandSmart™

A change in conveyor speed may affect the finish surface. If the finish is affected, make another sanding pass without changing any settings.

If the finish is still affected, make adjustments by slowing the conveyor and/or decreasing the depth of cut and run the stock through again.

Also try a faster feed rate or less depth of cut if the stock you are working begins to show burn marks. With cherry, hard maple or other hardwoods, using a shallower depth of cut and a faster feed rate will help minimize burn marks. Slightly angling the stock as it is fed into the machine will also help prevent burning the stock.

Because of the wide range of variables, it is important to experiment with your specific conditions and make adjustments to achieve the optimum feed rate. If problems occur, first check and adjust the feed rate, referring to the “Troubleshooting” section in this manual.

9.7 Maximum performance tips

The versatility designed into the drum sander allows it to be used for a variety of tasks that will boost return on your investment. For example, it will speed up fine sanding work often done with slower, dust-generating hand sanders, and will achieve fine thickness adjustments not possible on some sanders. It can be used to surface figured woods – bird’s eye or curly maple, for example – which can be damaged if fed through a planer.

Learning how to use its adjustments and controls will allow you to fine-tune the machine for maximum results. The best results come from experimenting with different abrasive grits and machine adjustments to fit the job at hand. Following is a list of useful tips which can help you improve performance of your sander.

9.7.1 Dust collection

When connecting dust collectors, remember that straight pipe will not restrict airflow as much as flexible tubing. Y’s and elbows will restrict airflow less than T’s. Hoses smaller than 80mm diameter should not be used.

9.7.2 Multiple-piece sanding runs

When abrasive planing (or thickness sanding) a run of similar pieces that you want to have the same thickness, it is best to determine the thickness of the thinnest piece and process all pieces to that same thickness in one session. Be aware that the sander will remove cups and crowns in the workpiece; consider this when measuring and processing stock to the same thickness.

9.7.3 Simultaneous multiple pieces

When sanding multiple pieces simultaneously, make sure to stagger (step) the pieces across the width of the conveyor belt. This provides better contact with the tension rollers. Try to process only multiple pieces of similar thickness.

If there is a significant thickness difference, the thinner pieces can slip on the conveyor belt if they do not contact the tension rollers. Also note that pieces thicker than 20mm should be longer than the minimum normally recommended to prevent tipping of the stock.

9.7.4 Edge sanding

When edge sanding, the sander will mimic the opposite edge of the stock which is lying on the conveyor belt. Because of this, it is important for the stock edge to have been ripped at the proper angle to the face before the sanding process. When edge sanding stock that is less than 20mm wide or more than 50mm high, it is good procedure to stack and

clamp several pieces together to prevent them from slipping or tipping on the conveyor belt.

9.7.5 Sanding imperfect stock

When sanding stock with a cup or crown, place the crown up. This will stabilize the stock to help prevent tipping or rocking during sanding. After the crown has been removed and the top is flat, turn the stock over and sand the opposite side. To avoid personal injury, take special care when sanding stock that is twisted, bowed, or otherwise varies in thickness from end to end. If possible, support such stock as it is being sanded to keep it from slipping or tipping. Use extra roller stands, help from another person, or hand pressure on the stock, to minimize potentially hazardous situations.

9.7.6 Face frames and raised panel doors

It is very important to have the proper abrasive contact when doing this type of sanding. If the machine is set to take an excessive depth of cut, the result can be a gouge or dip as the drum goes from sanding the rails at full width to sanding just a small width on the stiles. To prevent this make sure, when using abrasives finer than 80 grit, that the drum is in contact with the wood but can still be spun by hand. If there is room, angling the stock on the conveyor belt can also help. Slowing the conveyor feed when coming to a rail in the stock can help prevent a dip or gouge. This allows the abrasive to work the wider width with less effort, and to achieve better consistency of the finished surface.

9.7.7 Stock feeding angle

Some pieces, because of their dimensions, will need to be fed into the machine at a 90° angle (perpendicular to drum). However, even a slight offset angle of stock will provide for more effective stock removal. The optimum feeding angle for stock removal is about 60°.

Angling the workpiece for stock removal provides other advantages, such as less loading of certain areas of the drum due to glue lines or mineral streaks in the stock, more even wear of abrasive strips, potentially faster feed rates, and lighter loads on the motor. Note that to get the best final finish however, the stock should be fed through the machine so it will be sanded in line with the grain of the wood on the final one or two passes.

10.0 User-maintenance

⚠WARNING Before doing maintenance on the machine, disconnect it from the electrical supply (pull out the plug), unless indicated otherwise. Failure to comply may cause serious injury.

10.1 Cleaning and lubrication

For best results, make cleaning the sander a regular shop procedure. Allowing excess build-up of dust and debris can adversely affect performance through loading of the abrasives, slippage on the conveyor table, and/or the accumulation of material inside the drums which can throw off the center of balance.

NOTE: Bearings are pre-sealed and require no lubrication.

- Brush the conveyor belt after cleaning operations. If not cleaned, the conveyor belt could allow stock to slip during sanding operations.
- Lubricate conveyor bushings as needed, and check for wear.
- Lubricate elevating leadscrew (A, Figure 10-1) as needed.
- Clean sawdust from abrasive strip and brush dust from conveyor belt.
- Keep slide areas clean (B, Figure 10-1).
- Insert bearing grease (NLGI #2, DIN 51818) into the five fittings (C, Figure 10-2) every 150 work hours. *Do not over-grease.*
- Blow dust from motors and switches.
- Blow dust from inside of sanding drum, which may cause vibration or offset the center of balance. (Leave your dust collector on when cleaning dust from the drums.)
- Check all set screws for tightness on parts such as bearings, conveyor table, and couplings.

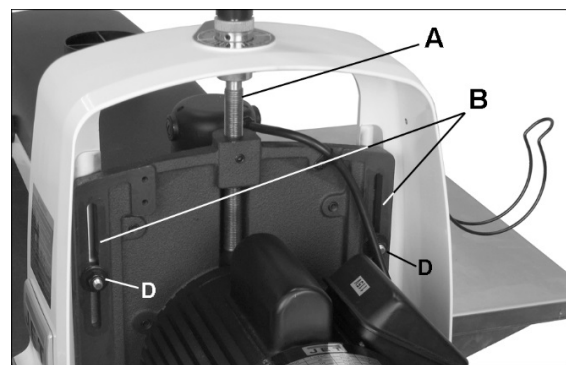


Figure 10-1: maintenance areas

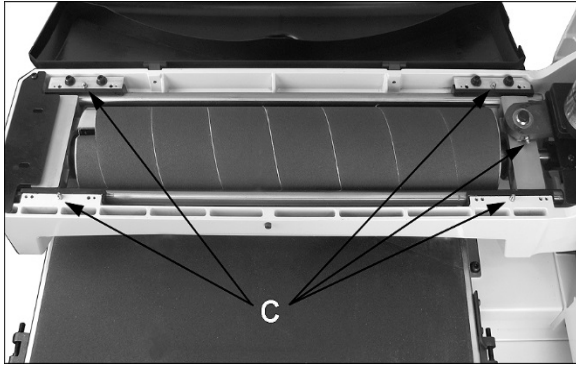


Figure 10-2: maintenance areas

10.2 Drum elevation adjustment

If the height control mechanism does not operate easily or smoothly or there is excessive vertical movement or deflection of the drum carriage tighten all four (4) lock nuts (D, Figure 10-1) and then loosen them 1/8 to 1/4 turn. If the lock nuts are set too tight, height control will not operate easily. If the lock nuts are too loose, excessive deflection of the outboard end of the drum carriage will result.

10.3 Conveyor belt replacement

1. Disconnect sander from power source/unplug.
2. Raise drum to highest position.
3. Remove infeed/outfeed tables, if installed.
4. Turn take-up screws (Figure 8-3) on both sides of conveyor to relieve belt tension, and slide the driven roller fully inward.
5. Remove two (2) screws that attach conveyor table to base.
6. Remove two (2) screws that attach conveyor table to drum alignment bracket (E, Figure 10-3).
7. Loosen two locks (F).
8. Lift up conveyor table and remove it from machine. Avoid tearing the belt on any edges underneath the conveyor table. *Do not allow the Trackers to drop, as they may break.*
9. Set conveyor on motor side and slide conveyor belt off end of conveyor table.
10. Install new belt along with trackers (see sect. 11.0), and re-install conveyor table. Tension and track the new belt.

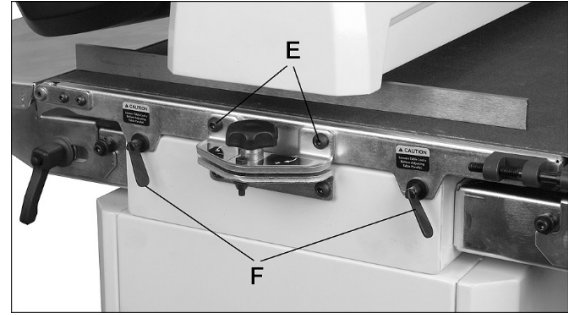


Figure 10-3

Note: If conveyor belt continually tracks to one side of the machine, reversing the belt on the conveyor table may remedy the problem. To make sure the conveyor table is not twisted, place a level on the conveyor table. Level the machine if needed. If there is still a problem, proceed with the steps below:

Step 1: Check conveyor drive roller and driven roller to make sure they are parallel to surface of conveyor table. To do this, first center conveyor belt on the conveyor table. Then lay a straight-edge on the exposed edge of conveyor table on left (outboard) side, extending it over the roller. Note distance between roller and straightedge.

Step 2: Now repeat Step 1 on right (inboard) side of conveyor. Compare the measurements from side to side. If they are not equal, loosen one of the brackets that hold the roller in place. Tip this bracket until distance between roller and straight-edge are equal from side to side, then tighten bracket.

10.4 Commutator brush inspection

To maintain motor efficiency, inspect the two carbon brushes every two months, or more frequently if sander is heavily used. Stalling or loss of power may be a symptom of worn carbon brushes. If one brush is worn out, replace both at the same time.

CAUTION Continued use of damaged or worn brushes may result in damage to motor armature.

1. Disconnect sander from power source/unplug.
2. Unscrew and remove cap with flat blade screwdriver. See Figure 10-4.
3. Gently pry up an edge of the brass clip, until the spring causes it to disengage from hole. (Notice orientation of brush as you remove it; it should be inserted in the same manner; curvature of brush will match curvature of motor.)
4. Pull out brush and inspect. Brush should be replaced if any of the following are discovered:
 - Brush has worn to about 13mm long.
 - Signs of crumbling, burning or breaking.
 - End of brush is rough or pitted.

- Abnormal coloration of spring
 - Broken lead in spring
 - Collapsed spring
5. Install new brush (or reinstall current brush) and gently press it all the way into hole until the brass clip is secured.
 6. Install cap.
 7. Repeat for other brush.

NOTE: It is recommended that sander be run without load for several minutes to seat new brushes.

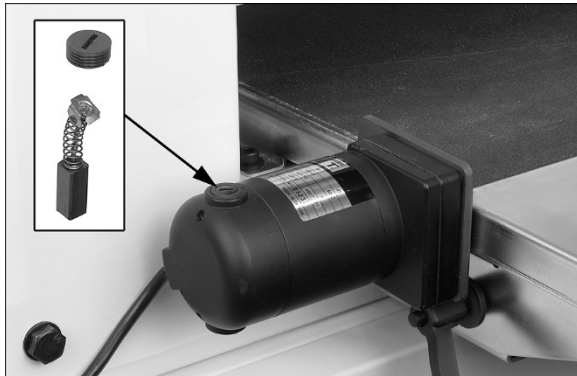


Figure 10-4

10.5 Additional servicing

Any additional servicing should be performed by an authorized service technician.

11.0 Tracker kit (set of 2)

Stock No.: PM2244-213

Trackers dramatically reduce tracking adjustments of conveyor belts. They are already installed on your sander. The following information is for resetting or replacing your trackers, should that become necessary.

1. Disconnect sander from power source/unplug.
2. Raise drum as high as it will go.
3. Turn both conveyor take-up screws to relieve conveyor belt tension and slide driven roller fully inward.
4. Remove the 2 bolts and loosen 2 wing screws holding conveyor table to sander base.
5. Lift conveyor table and slide it out of sander. Turn conveyor table upside down. Be careful not to damage conveyor belt.
6. On the underside of the conveyor table, there are U-channels welded to the table. The Tracker is positioned on the inside of the first U-channel on the infeed side of sander (Figure 11-1). The back of tracker is magnetized and will stick to

side wall of conveyor table. Do not install tracker if edge of conveyor belt is damaged or torn.

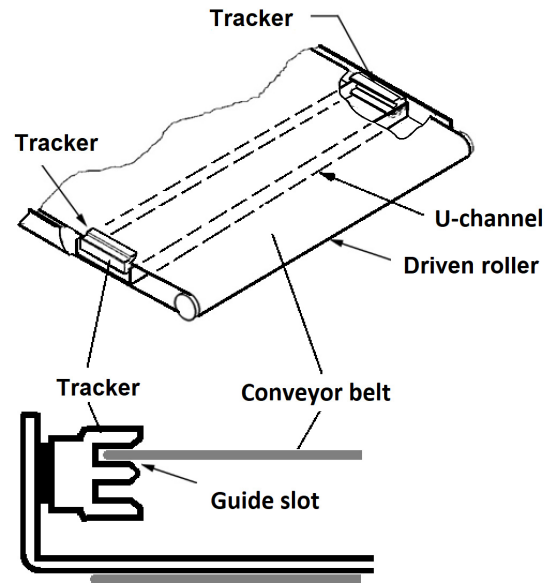


Figure 11-1: Underside of conveyor shown

7. With first tracker installed, slide conveyor belt into bottom slot of tracker. **Note:** When installed properly, only bottom lip of tracker will be visible. The top slot can be used if bottom slot wears out.
8. Install second tracker opposite the first. Use both trackers unless the second one does not fit in conveyor or unless conveyor belt is damaged.
9. Turn conveyor table right-side up and reposition it onto sander. Re-attach three mounting screws and tighten. **Caution:** Be careful not to knock tracker(s) out of conveyor table when turning conveyor over. Trackers may break if allowed to fall.
10. Make sure all switches are off. Connect power to sander and plug in motor.
11. Tension conveyor belt using take-up screws. If both trackers are installed, it is very important to have equal tension on both sides of conveyor belt. Turn take-up screws on both sides until equal tension is obtained.
12. To check tension, turn on conveyor full speed and place both hands on conveyor. If conveyor belt can be stopped, continue tensioning until conveyor belt cannot be stopped by both hands on the belt while conveyor is operating at full speed.
13. Make sure conveyor belt runs smoothly inside tracker slot and that the magnet is holding the tracker in position.
14. Continue to watch tracking of conveyor and adjust only if necessary, making sure to keep

equal tension on conveyor belt at all times and not allowing conveyor belt to buckle under conveyor table.

12.0 Abrasives

The abrasive material you choose will have a substantial effect on the performance of your sander. Variations in paper type, weight, coating and durability all contribute to achieving your desired finish.

12.1 Selecting drum abrasives

It is important to select the proper grit of abrasive for the type of sanding being performed to achieve maximum results. As with any sanding operation, first begin sanding with a coarser grit, depending upon the roughness of the stock or the amount of stock to be removed. Then progressively work toward finer grits. The chart below shows the general uses for the various grits.

The amount of stock to be removed is a major consideration when choosing the grit grade with which to begin. Grits 24, 36, 40 and 60 are primarily designed for stock removal. Grits 24 and 36 will remove the most material in one pass, whether you are doing abrasive planing, cleaning up glued panels, or flattening stock. Grits from 100 through 220 are primarily finishing grits designed to remove the scratch pattern from the previous grit used. For best results, never skip more than one grit grade when progressing through a sanding sequence.

For fine work, such as furniture, try not to skip any grit grades during the sanding process.

In general, premium quality abrasives will produce a better finish with a less noticeable scratch pattern.

Note: Grits that are too fine can sometimes burnish the wood and leave a glossy surface which will not accept stains evenly. This will vary by type of wood. Oak, for example, is susceptible to burnishing because of its open pores.

12.2 Cleaning abrasive strips

Regularly clean the abrasive strip on the drum with commercially available cleaning sticks, following the manufacturer's directions. When cleaning, also brush the stick crumbs from the drum while it is still rotating.

In some cases, heavy loaded areas can be removed with Plexiglas held on edge over the rotating drum.

CAUTION Always wear eye protection while performing sandpaper cleaning, and take all precautions to avoid any contact of hands or clothing with the rotating drum.

Cloth-backed abrasives can be cleaned by soaking in paint thinner or mineral spirits for 20 minutes to one hour, then using a brush to remove any build-up. Dry the abrasive strips completely before using. Any used solvents should be discarded in compliance with environmental regulations.

12.3 Increasing abrasive life

Abrasive life can be increased not only by cleaning, but by removing the abrasive strip from the drum and reversing it. To do this, remove the strip and use what was the trailing end as the starting end on the left (outboard) side of the drum. Reversing the strip will provide a fresh set of cutting edges on the abrasive.

12.4 Abrasive selection guide

Grit	Common Application
24, 36	Abrasive planing, surfacing rough-sawn boards, maximum stock removal, glue removal.
40, 60	Surfacing and dimensioning boards, truing warped boards
80	Light dimensioning, removal of planer ripples.
100	Light surfacing.
120	Light surfacing, minimal stock removal.
150	Finish sanding, minimal stock removal.
180	Finish sanding only, not for stock removal.
220	Finish sanding only, not for stock removal.

Table 2

13.0 Troubleshooting JWDS-2244OSC-M Drum Sander

Symptom	Possible Cause	Correction *
Drum motor won't start when switch is activated.	No incoming current.	Check connections at plug or circuit panel.
	Low voltage.	Check power line for proper voltage.
	Open circuit in motor or loose connection.	Inspect all lead connections on motor for loose or open connections.
	Switch malfunction.	Replace switch.
Drum motor will not start: fuses blow or circuit breakers trip.	Short circuit in line cord or plug.	Inspect cord or plug for damaged insulation and shorted wires.
	Short circuit in motor or loose connections.	Inspect all connections on motor for loose or shorted terminals or worn insulation.
	Incorrect fuse or circuit breaker in power line.	Install correct fuse or circuit breaker.
Drum motor overheats.	Air circulation through motor restricted.	Clean motor fan with compressed air to restore normal air circulation.
	Motor overloaded (SandSmart™ not functioning properly).	Have controls inspected and repaired.
Drum motor stalls, resulting in blown fuses or tripped circuit.	Short circuit in motor or loose connections.	Inspect connections on motor for loose or shorted terminals or worn insulation.
	Low voltage.	Correct low voltage conditions.
	Incorrect fuse or circuit breaker in power line.	Install correct fuse or circuit breaker.
Loud, repetitive noise or vibration coming from machine.	Fasteners loose.	Inspect fasteners and tighten where needed.
	Motor fan is hitting cover.	Tighten fan or shim fan cover.
	Machine not level.	Place sander on level floor; shim if needed.
Conveyor motor stalls.	Excessive depth of cut.	Reduce depth of cut; use coarser grit; reduce feed rate.
Conveyor belt does not move.	Shaft coupler is loose or unattached.	Adjust shaft coupler.
Conveyor rollers run intermittently.	Shaft coupling is loose.	Align the shaft flats of the gear motor and the drive roller and tighten the shaft-coupling setscrews.
Conveyor belt slips on drive roller.	Improper conveyor belt tension.	Adjust belt tension.
	Excessive depth of cut and/or feed rate.	Reduce depth of cut and/or feed rate.
Abrasive strip comes off drum.	Slack in abrasive strip on drum.	Remove slack in strip.
	Abrasive improperly wrapped.	Read the section on installing abrasives, and rewrap.
Abrasive strip is loose.	Strip caught on inside edge of slot, or on inboard side of drum.	Re-adjust the strip end in the slot and/or trim the abrasive edge.
	Strip not cut properly.	Re-cut and re-install the abrasive strip.
Abrasive loads up prematurely.	Excessive depth of cut.	Reduce depth of cut.
	Excessive feed rate.	Reduce feed rate.
	Inadequate dust collection.	Increase airflow at dust port.
	Inadequate abrasive.	Use an open-coat abrasive.
Line or groove in stock.	Inconsistent feed rate.	Do not stop or change the feed rate while feeding stock.

Symptom	Possible Cause	Correction *
Snipe marks.	Improper tension on rollers.	Re-tension rollers.
Sander burns wood.	Abrasive strip is overlapped.	Re-wrap abrasive strip.
	Abrasive is loaded.	Clean abrasive.
	Depth of cut excessive for fine grit.	Use coarser grit or reduce depth of cut.
	Feed rate too slow.	Increase feed rate.
	Abrasive is worn.	Replace abrasive.
Board slips on conveyor belt.	Tension rollers too high.	Lower tension rollers.
	Excessive feed rate.	Reduce feed rate.
	Dirty or worn conveyor belt.	Replace conveyor belt.
Ripples in sanded surface. A. Non-uniformly spaced ripples. B. Uniformly spaced ripples.	A. Uneven feed rate.	Conveyor belt slipping (see above) Board slips on conveyor belt (see above). Conveyor motor stalls (see above).
	B. Conveyor table flexing or vibration.	Reduce depth of cut and/or feed rate. Check for loose bolts, loose shaft coupling set screws, or out-of-balance drum.
Wood is gouged.	Stock slipping on conveyor.	Correct depth of cut or roller tension.
	Work piece not properly supported.	Add work supports for long work pieces.

Table 3

* **WARNING:** Some corrections may require a qualified electrician.

14.0 Optional accessories for JWDS-2244OSC-M

723551 Folding Infeed/Outfeed Tables for JWDS-2244OSC / JWDS-2550-M
723552 Digital Read Out

DE - DEUTSCH

Bedienungsanleitung

Sehr geehrter Kunde,

Vielen Dank für Ihr Vertrauen, dass Sie durch den Kauf Ihrer neuen JET-Maschine in uns gesetzt haben. Diese Anleitung wurde für den Besitzer und die Bediener der **oszillierenden Zylinderschleifmaschine JET JWDS-2244OSC-M** erstellt und soll die Sicherheit bei Aufstellung, Bedienung und Wartung gewährleisten. Bitte lesen Sie die in dieser Betriebsanleitung und den begleitenden Dokumenten enthaltenen Informationen vollständig und sorgfältig, um sicherzustellen, dass Sie alle Anweisungen genau verstehen. Damit Sie die Maschine so lange wie möglich sicher betreiben und mit höchstmöglicher Effizienz nutzen können, müssen diese Anleitung gründlich durchlesen und alle Anweisungen befolgen.

Inhaltsverzeichnis

Abschnitt	Seite
1. Konformitätserklärung.....	3
2. Garantie	3
3. Sicherheit	3
3.1 Bestimmungsgemäße Verwendung.....	3
3.2 Allgemeine Sicherheitshinweise	3
3.3 Restrisiken	4
3.4 Schilder und ihre Positionen.....	5
4.0 Technische Daten.....	6
5.0 Merkmale und verwendete Terminologie	7
6.0 Einrichtung und Montage	8
6.1 Lieferumfang.....	8
6.2 Für die Montage benötigte Werkzeuge.....	8
6.3 Montage des Gestells	9
6.4 Die Schleifmaschine auf dem Gestell anbringen	9
6.5 Montage von Kurbel und Schlauchstütze	9
6.6 Montage der Verlängerungstische (optionales Zubehör).....	9
6.7 Staubabsaugung	10
6.8 Schleifmittel anbringen.....	10
7.0 Elektrische Anschlüsse	11
8.0 Einstellungen.....	11
8.1 Höheneinstellung der Trommel.....	11
8.2 Dickenskala	11
8.3 Verlängerungstische (Optional)	11
8.4 Spannung und Führung des Vorschubbands	11
8.5 Überprüfen der Trommelausrichtung	12
8.6 Andruckrollen einstellen.....	13
9.0 Bedienung und Betrieb	13
9.1 Betrieb des Trommel- und Vorschubmotors	14
9.2 Schleifen mit Trommel-Oszillation.....	13
9.3 Grundlegende Bedienschritte.....	14
9.4 Schleiftiefe einstellen	14
9.5 Trommelhöhe festlegen	14
9.6 Wählen der Vorschubgeschwindigkeit, SandSmart™	14
9.7 Tipps zum Erzielen der optimalen Leistung	15
10.0 Wartung	16
10.1 Reinigung und Schmierung	16
10.2 Höhenführung einstellen	17
10.3 Vorschubband auswechseln	17
10.4 Überprüfung der Motorbürsten	17
10.5 Zusätzliche Wartung	18
11.0 Nachführeinrichtung (Tracker kit, Satz von 2 Stück).....	18
12.0 Schleifmittel	18
12.1 Schliefmittel auswählen.....	18
12.2 Schleifmittel abreinigen.....	19
12.3 Schleifmittellebensdauer verlängern.....	19
12.4 Tabelle für Schleifmittelauswahl	19
13.0 Störungsabhilfe	20
14.0 Optionales Zubehör	21

1. Konformitätserklärung

Wir erklären hiermit auf eigene Verantwortung, dass dieses Produkt den auf Seite 2 aufgeführten Richtlinien entspricht und unter Berücksichtigung der angeführten Normen konstruiert wurde.

2. Garantie

TOOL France SARL garantiert, dass das gelieferte Produkt frei von Material- und Fertigungsfehlern ist.

Diese Garantie trifft nicht auf jene Defekte zu, welche auf direkten oder indirekten, nicht fachgerechten Gebrauch, Unachtsamkeit, Unfallschaden, Reparatur, mangelhafte Wartung bzw. Reinigung sowie normalen Verschleiß zurückzuführen sind.

Die ausführlichen Garantieleistungen (z.B. Gewährleistungsfrist) sind den Allgemeinen Geschäftsbedingungen (AGB) zu entnehmen. Die AGB sind auf der Internetseite ihres Händlers einzusehen oder werden auf Anfrage per Post zugestellt.

TOOL France SARL behält sich das Recht vor, jederzeit Änderungen am Produkt und Zubehör vorzunehmen.

3. Sicherheit

3.1 Bestimmungsgemäße Verwendung

Diese Zylinderschleifmaschine ist ausschließlich für das Schleifen von Holz und vergleichbaren Werkstoffen ausgelegt. Das Schleifen von anderen Werkstoffen ist nicht zulässig und darf in Sonderfällen nur nach ausdrücklicher Genehmigung des Herstellers durchgeführt werden.

Die Maschine ist nicht für Nassschleifvorgänge geeignet.

Für die bestimmungsgemäße Verwendung müssen außerdem die Betriebs- und Wartungsanweisungen in diesem Handbuch beachtet werden.

Die Maschine darf nur von Personen bedient werden, die mit der Bedienung und Wartung dieser Maschine sowie den damit verbundenen Gefahren vertraut sind.

Das erforderliche Mindestalter muss beachtet werden.

Die Maschine darf nur in technisch einwandfreiem Zustand verwendet werden.

Beim Arbeiten mit der Maschine müssen alle Sicherheitsmechanismen und Sicherheitsabdeckungen funktionstüchtig und korrekt montiert sein.

Zusätzlich zu den in dieser Betriebsanleitung aufgeführten Sicherheitsmaßnahmen und den in Ihrem Land geltenden Regelungen müssen außerdem die allgemein anerkannten technischen Grundsätze hinsichtlich der Bedienung von Holzbearbeitungsmaschinen beachtet werden.

Jegliche anderweitige Verwendung ist untersagt. Bei nicht bestimmungsgemäßer Verwendung der

Maschine übernimmt der Hersteller keinerlei Haftung und der Bediener trägt die volle Verantwortung.

3.2 Allgemeine Sicherheitshinweise

Holzbearbeitungsmaschinen bergen bei nicht sachgemäßer Verwendung ein großes Gefahrenpotential. Daher müssen die entsprechenden technischen Grundsätze und die folgenden Hinweise beachtet werden.



Vor Montage und Inbetriebnahme muss die Bedienungsanleitung vollständig durchgelesen und verstanden werden.



Diese Bedienungsanleitung muss in der Nähe der Maschine aufbewahrt, vor Schmutz und Feuchtigkeit geschützt und bei Weitergabe des Produkts an einen neuen Besitzer mit übergeben werden.

An der Maschine dürfen keine Änderungen vorgenommen werden.

Vor dem Starten der Maschine müssen alle Sicherheitseinrichtungen täglich auf Funktionstüchtigkeit und Vorhandensein geprüft werden. In diesem Fall darf die Maschine nicht in Betrieb genommen werden und muss durch Abziehen des Netzkabels gesichert werden.

Bevor mit dieser Maschine gearbeitet wird, Krawatten, Ringe, Armbanduhr und anderen Schmuck ablegen und die Ärmel bis über die Ellbogen aufrollen. Locker sitzende Kleidung darf nicht getragen werden und lange Haare zusammenbinden.

Sicherheitsschutz tragen; niemals mit Freizeitschuhen oder Sandalen arbeiten.

Stets zulässige und geeignete Arbeitskleidung tragen:

- Augenschutz
- Atemschutz
- Staubschutz



Beim Arbeiten mit dieser Maschine keine locker sitzende Kleidung und keine Handschuhe tragen.

Die Maschine muss so aufgestellt werden, dass ausreichend Platz zur sicheren Bedienung und zur Handhabung des Werkstücks gewährleistet ist.

Der Arbeitsbereich muss stets gut beleuchtet sein.

Die Maschine ist für den Betrieb in geschlossenen Räumen ausgelegt und muss stabil und sicher auf einer festen und ebenen Tischfläche oder auf einem Untergestell verschraubt werden.

Es muss sichergestellt werden, dass das Netzkabel die Arbeiten nicht behindert und keine Stolpergefahr darstellt. Den Boden rund um die Maschine sauber und frei von Ausschussmaterial, Öl oder Schmierfett halten.

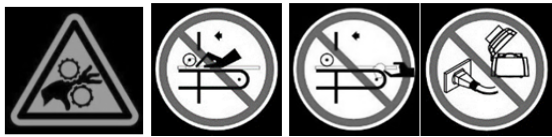
Stets aufmerksam bleiben! Der Arbeit ist uneingeschränkte Aufmerksamkeit zu widmen.

Mit gesundem Menschenverstand vorgehen. Die Maschine darf nicht bei Müdigkeit bedient werden.

Stets auf eine ergonomische Körperhaltung achten. Stets für sicheren Stand sorgen.

Die Bedienung dieser Maschine unter dem Einfluss von Drogen, Alkohol oder Medikamenten ist untersagt. Urteils- und Reaktionsvermögen sowie Motorik können durch Einnahme von Medikamenten beeinträchtigt werden.

Greifen Sie niemals in die Maschine hinein, während sich diese in Betrieb befindet oder nachläuft.



Vor der Inbetriebnahme der Maschine muss die Absaughaube geschlossen werden.

Bei der Werkstückzustellung die Hände von Trommelgehäuse und Vorschubband fernhalten.

Kinder und Unbefugte müssen vom Arbeitsbereich ferngehalten werden.

Lassen Sie die Maschine niemals unbeaufsichtigt. Die Maschine muss vor dem Verlassen des Arbeitsplatzes ausgeschaltet werden.

Die Maschine darf nicht in der Nähe von entzündlichen Flüssigkeiten oder Gasen betrieben werden. Alle Einrichtungen für Brandbekämpfung und Feuersalarm - beispielsweise Position und Bedienung von Feuerlöschern - müssen bekannt sein.

Die Maschine darf nicht in feuchter Umgebung eingesetzt werden und darf keinem Regen ausgesetzt werden.

Schleifstaub ist explosiv und kann darüber hinaus auch ein Gesundheitsrisiko darstellen. Es muss stets eine geeignete Staubabsaugvorrichtung verwendet werden.

Vor der Bearbeitung müssen sämtliche Nägel und Fremdkörper vom Werkstück entfernt werden.

Nur mit gut geschärften Werkzeugen arbeiten.

Nur Schleifgut bearbeiten, welches sicher und stabil auf dem Tisch aufliegt.

Vor der Inbetriebnahme der Maschine muss die Spannutterabdeckung geschlossen werden.

Die Vorgaben hinsichtlich Maximal- und Minimalgröße des Werkstücks müssen beachtet werden.

Späne und Werkstückteile dürfen erst nach vollständigem Stillstand der Maschine entfernt werden.

Stellen Sie sich nicht auf die Maschine.

Anschluss- und Reparaturarbeiten an der Elektrik dürfen ausschließlich von einem qualifizierten Elektriker durchgeführt werden.

Ein beschädigtes oder verschlissenes Netzkabel muss umgehend ersetzt werden.

Vor Ausführung erforderlicher Einstellungen oder Wartungsarbeiten die Maschine vom Stromnetz trennen.



Schützen Sie die Umwelt: Die Verpackung muss umweltfreundlich entsorgt werden.

Das Gerät beinhaltet wertvolle Materialien, die zurückgewonnen bzw. wiederverwertet werden können. Bitte die Entsorgung von einem Fachunternehmen ausführen lassen.



Dieses Symbol verweist auf die getrennte Sammlung von Elektro- und Elektronikgeräten, gemäß Forderung der WEEE-Richtlinie (2012/19/EU). Diese Richtlinie ist nur innerhalb der Europäischen Union wirksam.

3.3 Restrisiken

Selbst bei Beachtung aller Vorschriften können beim Betrieb der Maschine einige Restrisiken bestehen.

Von der drehenden Schleifhülse geht eine Verletzungsgefahr aus.

Es besteht Rückschlaggefahr. Das Werkstück kann von der drehenden Schleifhülse erfasst und in Richtung des Bedieners geschleudert werden.

Fortgeschleuderte Werkstücke können zu Verletzungen führen.

Es bestehen Gesundheitsrisiken durch Schleifstaub und Lärm. Persönliche Schutzausrüstung wie z.B. Schutzbrille und Staubschutzmaske tragen. Ein geeignetes Staubabsaugsystem verwenden.

Defekte Schleifmittel können Verletzungen verursachen.

Bei Verwendung eines ungeeigneten Netzanschlusses und eines beschädigten Netzkabels kann es zu Verletzungen aufgrund eines Stromschlags kommen.

3.4 Schilder und ihre Positionen

- A: Sicherheitswarnung
- B: Laufrichtung von Schleiftrommel und Vorschubband.
- C: Tischverriegelung vor dem Parallelausrichten lösen.



Fig. A



Fig. B



Fig. C

4.0 Technische Daten

Modellnummer	JWDS-2244OSC-M
Bestellnummern:	
Maschine mit Unterschrank auf Rädern	723544OSCK-M
Nur der Unterschrank auf Rädern	(ist Standard Lieferumfang) 723544CS
Verlängerungstische abklappbar	723551 (optional)
Digitale Dickenanzeige	723552 (optional)

Motoren und Elektrik:

Trommelmotor:

Motortyp	Induktionsmotor
Abgabeleistung	1.3 kW (1.75 PS)
Spannung	~ 230 V, PE, 50 Hz
Volllast Stromstärke	9.5 A
Motordrehzahl	1400 /min
Einschaltstrom	28 A
Betriebsstrom (ohne Last)	4.3 A
Anlasskondensator	300µF, 125 VAC
Betriebskondensator	20µF, 300VAC

Vorschubmotor:

Motortyp	gekapselter Gleichstrommotor
Leistung	40 W
Motordrehzahl	54 min ⁻¹

Oszillationsmotor:

Motortyp	gekapselter Gleichstrommotor
Leistung	40 W
Motordrehzahl	120 min ⁻¹

EIN/AUS-Schalter	Magnetschalter
Netzkabel	H05RR-F, 3x1,5mm ² , 1830 mm
Empfohlene Netzabsicherung ¹	16 A

Geräuschemission ²	68 dB im Leerlauf / 70 dB in Betrieb
Schalldruckpegel LpA (nach EN ISO 11202)	

Leistungswerte:

Maximale Plattenbreite, ein Durchlauf	560 mm
Maximale Plattenbreite, zwei Durchläufe	1120 mm
Maximale Plattenstärke	102 mm
Kleinste Plattenlänge	60 mm
Kleinste Plattenstärke ³	0,8 mm

Werkstoffe:

Untergestell	Stahl
Trommel	stranggepresstes Aluminium
Verlängerungstische (optional)	Stahl
Vorschubtisch:	Stahl
Handkurbel für Höhenverstellung	Aluminium und Kunststoff

Schleiftrommel:

Trommelabmessungen	Durchmesser 127 x 584 mm
Trommeldrehzahl	1400 /min
Oszillationsfrequenz	stufenlos einstellbar, 0 -120 /min
Oszillationshub	19 mm
Installiertes Schleifpapier	Körnung 80
Trommelhebung pro Handraddrehung	1,6 mm

¹ Gemäß den örtlich/landesweit geltenden elektrotechnischen Vorschriften und Normen.

² Die angegebenen Werte sind nur die Emissionswerte und sind nicht automatisch als sichere Betriebswerte zu verstehen. Die Arbeitsbedingungen fallen je nach Arbeitsplatz unterschiedlich aus. Diese Informationen dienen daher lediglich dazu, dem Anwender eine bessere Vorstellung zum Einschätzen der Gefahren und Risiken zu vermitteln.

³ Für Schnitte von unter 1,5 mm wird die Verwendung einer Zuführlade (nicht mitgeliefert) empfohlen. Siehe dazu Abschnitt 9.3.

Vorschub:

Vorschubgeschwindigkeit..... stufenlos einstellbar, 0 -3 m/min
Abmessungen des Vorschubtisches 660 x 552 mm
Höhe des Vorschubtisches über dem Boden..... 857 mm

Staubabsaugung:

Außendurchmesser des Absaugstutzens..... 100 mm
Absaug-Volumenstrom mindestens560 m3/h

Abmessungen:

Transportverpackung der Grundmaschine..... 1320 x 700 x 718 mm
Transportverpackung für Untergestell offen..... 1030 x 508 x 770 mm
Maschine komplett montiert. 1200 x 610 x 1320 mm

Gewichtsangaben:

Nettogewicht.....98 kg
Transportgewicht 131 kg

Die technischen Daten in diesem Handbuch waren zum Zeitpunkt der Veröffentlichung aktuell. Aufgrund unserer Politik fortwährender Verbesserung behält sich JET das Recht vor, technische Daten jederzeit und ohne Vorankündigung sowie ohne jegliche damit einhergehende Verpflichtung zu ändern.

5.0 Merkmale und verwendete Terminologie

In der nachstehenden Abbildung sind die Hauptkomponenten und Merkmale der Schleifmaschine JWDS-2244OSC-M dargestellt. Die Erläuterungen in diesem Handbuch beziehen sich auf diese Komponenten und Merkmale und verweisen auf sie, damit Sie sich mit der Bedienung und den Funktionen der Maschine genau vertraut machen können.

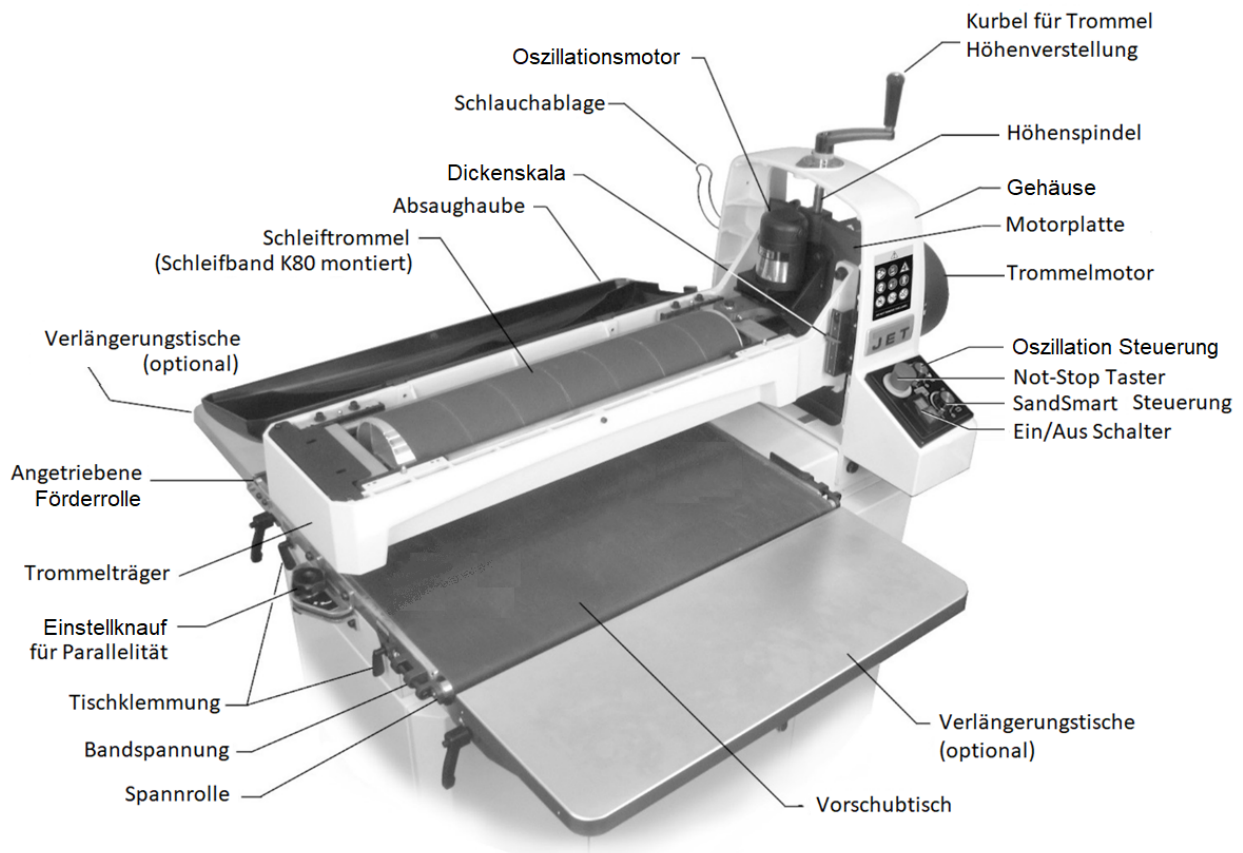


Abb. 5-1: Merkmale und Terminologie

⚠️ WARNUNG

Vor Montage und Inbetriebnahme muss die Bedienungsanleitung vollständig durchgelesen und verstanden werden. Nichtbeachtung kann zu schweren Verletzungen führen.

HINWEIS: Abbildungen zeigen möglicherweise optionales Zubehör welches je nach Modell separat erhältlich ist.

6.0 Einrichtung und Montage

Die Kisten öffnen und den Inhalt auf Transportschäden prüfen. Schäden unverzüglich dem Zulieferer oder Spediteur melden. Das Versandmaterial erst entsorgen, wenn die Zylinderschleifmaschine vollständig montiert ist und ordnungsgemäß funktioniert.

Die Inhalte der Kisten mit der folgenden Teileliste abgleichen, um sicherzustellen, dass alle Teile vorhanden sind. Sollten Teile fehlen, muss dies dem Zulieferer mitgeteilt werden. Diese Bedienungsanleitung zwecks Verinnerlichung von Montage- und Wartungsvorgängen sowie Sicherheitsanweisungen sorgfältig durchlesen.

6.1 Lieferumfang

Haupteinheit: (siehe Abb. 6-1)

- 1 Schleifmaschine mit Vorschubtisch (A)
- 1 Kurbelgriff (B)
- 1 Schlauchablage (C)
- 2 Inbusschraube M6x12 (C1)
- 2 Flache Scheibe 6mm (C2)
- 1 Bedienungsanleitung (nicht gezeigt)
- 1 Liste der Ersatzteile (nicht gezeigt)

Verlängerungstische: (optional, siehe Abb. 6-2)

- 2 Verlängerungstische (D)
- 1 Hinterer (kurzer) Träger (E)
- 1 Vorderer (langer) Träger (F)
- 2 Tischwinkel (G, H)
- 1 Montageteile:
 - 4 Klemmhebel (HP1)
 - 4 Flache Scheiben (HP2)
 - 4 Bronzescheiben (HP3)
 - 16 Inbusschrauben M8x16 (HP4)
 - 16 Flache Scheiben M8 (HP5)
 - 4 Inbusschrauben M6x20 (HP6)
 - 4 Flache Scheiben M6 (HP7)
 - 4 Exzenterbock (HP8)

6.2 Für die Montage benötigte Werkzeuge

Ein 5-mm und ein 6-mm-Inbusschlüssel.

Ein Messlineal (z.B. ein gerader Stahlstab oder eine gerade Holzleiste).



Abb. 6-1: Schleifmaschine

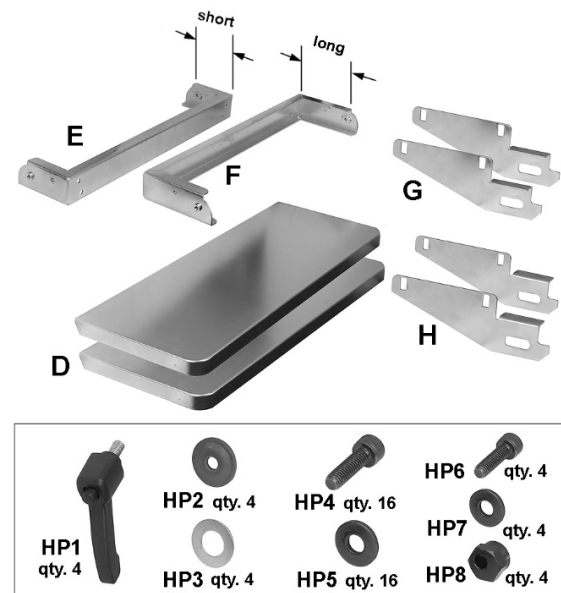


Abb. 6-2: Verlängerungstische (optional)

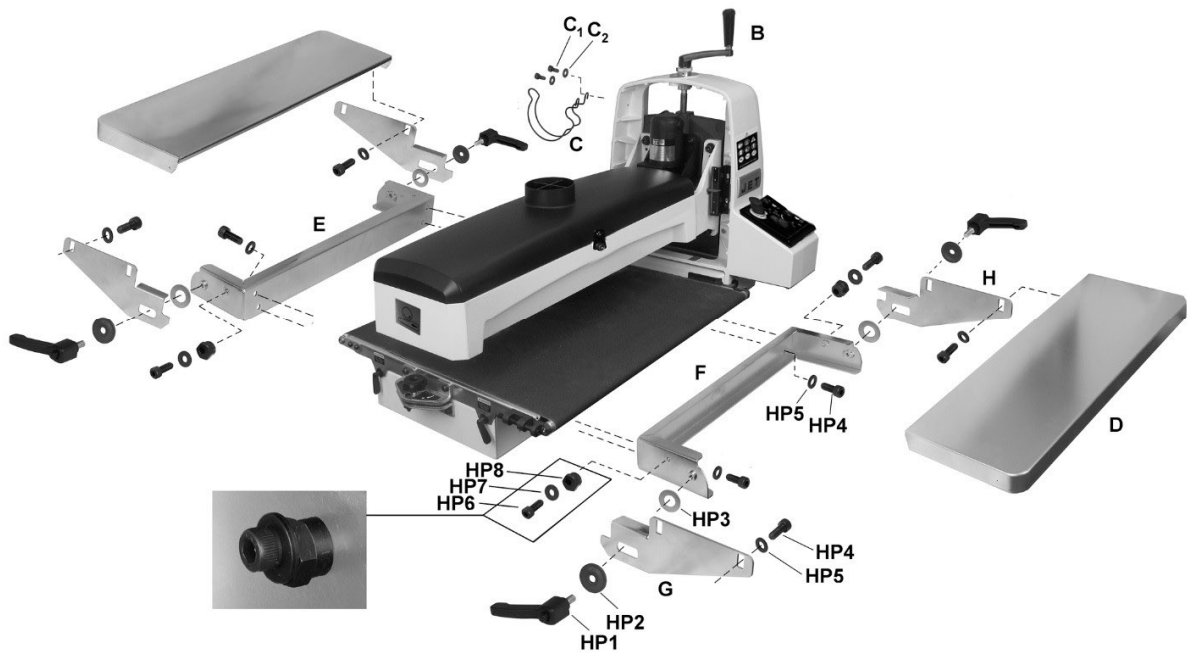


Abb. 6-3: Montagezeichnung für Schleifmaschine und Verlängerungstische (optional)

6.3 Montage des Untergestells

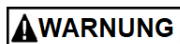
Mit der Schleifmaschine JWDS-2244OSC-M ist ein geschlossener Unterschrank mitgeliefert.

Befolgen Sie bitte die jeweils mitgelieferten Montageanweisungen.

6.4 Montage auf dem Unterschrank

Die Montageausrichtung vorne/hinten ist egal, die Tür kann sich wahlweise vorne oder hinten befinden.

1. Die Schleifmaschine aus der Kiste herausheben und vorübergehend quer auf dem Untergestell ablegen.



Die Schleifmaschine ist schwer, beim Anheben muss ein Assistent mithelfen.

2. Die Schleifmaschine so über dem Untergestell platzieren, dass die Gewindebohrungen genau mit den Löchern ausgerichtet sind.
3. Befestigen Sie die Maschine von unten mit den gelieferten Schrauben und Scheiben. Die Schrauben gut festziehen.

6.5 Höhenkurbel und Schlauchablage

1. Die Höheneinstellkurbel (B, Abb. 6-3) mit dem Gewindestift festsetzen.
2. Die Schleiftrommel nach oben kurbeln und den Transportblock zwischen Trommel und Vorschubband entfernen.

3. Die Schlauchablage mit 2 Schrauben und Scheiben (C₁/C₂) am Gehäuse befestigen.

6.6 Verlängerungstische (optionales Zubehör)

Zur sicheren Verwendung der Verlängerungstische muss die Maschine vorher auf dem Untergestell, dem Unterschrank oder einem belastbaren Tisch festgeschraubt sein.

Die maximale Traglast der Verlängerungstische beträgt 16 kg.

1. Die Träger (F, E, Abb. 6-3) mithilfe von Innensechskantschrauben und flachen Scheiben am Maschinensockel festschrauben. Die Träger müssen bündig am Sockel ausgerichtet sein.
HINWEIS: Die langen Träger müssen vorne (Zustelltisch) und die kurzen Träger hinten (Auslauftisch) angebracht werden.
2. Die Schrauben (HP4) festziehen.
3. Montieren sie die Exzenternocken (HP8) mit den Schrauben und Scheiben (HP6/7). Die Schrauben nur handfest anziehen.
4. Montieren Sie die Tischwinkel (G, H) mit Klemmgriffen, Schrauben und Scheiben (HP1/2/3).
5. Die Verlängerungstische auf die Tischwinkel legen und mit Innensechskantschrauben und Scheiben (HP4/5) befestigen. Die Schrauben nur handfest anziehen.
6. Hinweis: Die Verlängerungstische müssen eben oder etwas unterhalb der Vorschubtischoberfläche platziert sein, damit das Schleifgut korrekt abgestützt wird. Zur

Positionsüberprüfung ein Messlineal auf das Vorschubband legen und mit der abgesenkten Schleiftrommel festklemmen. Siehe Abb. 6-4. Den Verlängerungstisch anheben, bis sich die Tischoberfläche auf Höhe des Vorschubbandes befindet. Die Schrauben (HP4) festziehen.

7. Das Messlineal auf die andere Seite des Tisches legen und die Einstellung wiederholen.
8. Lösen Sie die Schraube (HP6) und drehen Sie die Exzenterocke (HP8) bis sie am Tischwinkel anliegt. Damit ist eine wiederholbar präzise und stabile Tischabstützung gewährleistet. Die Schraube (HP6) gut festziehen.

Wenn das Werkstück verbogen, verzogen oder anderweitig ungleichförmig ist, vergewissern Sie sich, dass die Verlängerungstische niedriger als die Oberseite des Vorschubtisches sind.

Gerät das Schleifgut auf dem Vorschubband ins Rutschen, sind die Verlängerungstische möglicherweise zu hoch positioniert.

Die Tische absenken, damit das zu bearbeitende Material auf dem Vorschubband aufliegt und mit diesem in Kontakt bleibt.

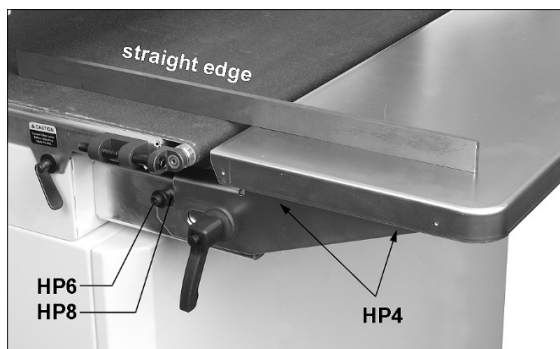


Abb. 6-4: Ausrichten der Verlängerungstische

6.7 Staubabsaugung

Eine Staubabsaugung ist für eine sicheren Arbeitsumgebung und eine gute Lebensdauer der Schleifmittel unbedingt erforderlich. Die Maschine ist mit einem 100mm Absaugstutzen versehen. Den Absaugschlauch mit einer Schlauchschelle (Abb. 6-5) befestigen und an eine Absauganlage anschließen (Luftstrom mindestens 560 m³/h).



Abb. 6-5 (Schlauch und Schlauchschelle sind optional)

6.8 Schleifmittel anbringen

Ein 76 mm breites Schleifband mit 80er Körnung ist an der Trommel vorinstalliert.

(TIPP: das Original von JET gelieferte Schleifband als Vorlage für das Zuschneiden eines neuen Bands verwenden.)

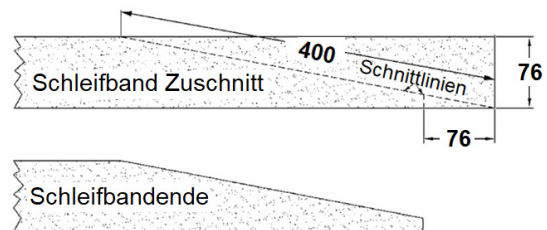


Abb. 6-6: Schleifbandzuschnitt

1. Den Spannhebel (Abb. 6-7) am linken Ende der Trommel drücken und das abgeschrägte Ende des Schleifbands wie in der Abbildung gezeigt durch den Schlitz in die Spannvorrichtung einführen. Das abgeschrägte Ende des Schleifbands so ausrichten, dass es bündig mit der Trommel abschließt.

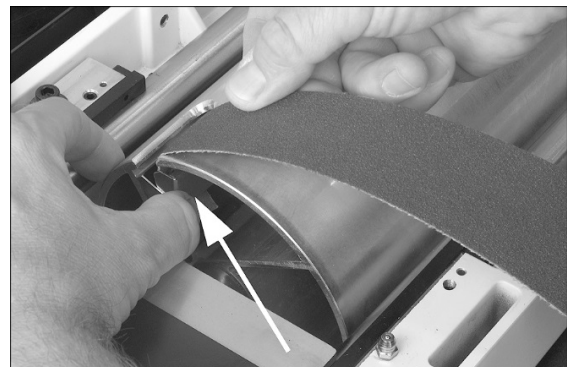


Abb. 6-7

2. Den Spannhebel lösen, um das Schleifband zu klemmen.
3. Das Schleifband um die Trommel wickeln. Das abgeschrägte Ende des Schleifbands an der Kante der Trommel ausrichten.
4. Das Schleifband spiralförmig weiter aufwickeln, indem die Trommel mit einer Hand gedreht und das Schleifband mit der anderen Hand geführt wird (Abb. 6-8).
5. Die Wicklungen des Schleifbands dürfen sich nicht überlappen, es darf nur ein kleiner Abstand zwischen ihnen liegen.

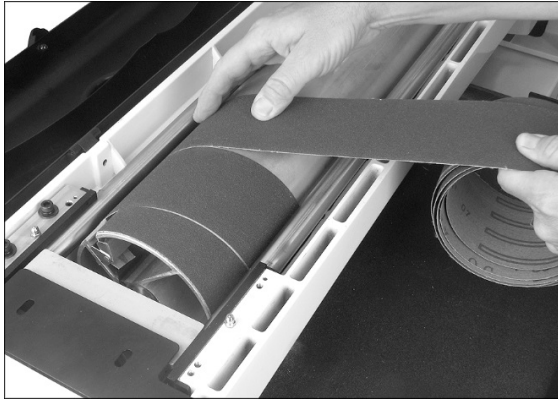


Abb. 6-8

6. Den rechten Spannhebel (Abb. 6-9) drücken und das Schleifbandende so weit wie möglich einführen. Falls nötig das Ende des Schleifbands kürzen.
7. Den Spannhebel lösen, um das Schleifband zu klemmen und gleichzeitig zu spannen.

Schleifbänder dehnen sich während des Gebrauchs. Sie dehnen sich unter Umständen so stark, dass der Spannhebel seine Endlage erreicht hat und die Spannung des Schleifbands nicht mehr aufrechterhalten werden kann. Tritt dies ein, den Spannhebel wie oben beschrieben wieder in die richtige Position bringen.

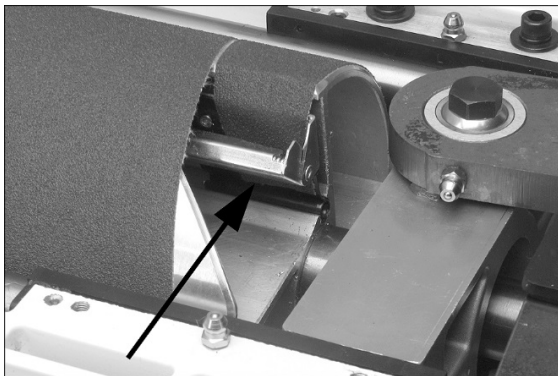


Abb. 6-9

7.0 Elektrische Anschlüsse

⚠️ WARNUNG

Elektrische Anschlüsse dürfen nur von einem qualifizierten Elektriker gemäß den am Einsatzort geltenden Vorschriften und Verordnungen durchgeführt werden. Bei Nichtbeachtung kann es zu schwerwiegenden Verletzungen kommen.

Die Schleifmaschine hat eine Netzspannung von 230 V. Die Maschine wird mit einem Stecker geliefert und ist für die Verwendung an einer geerdeten Steckdose ausgelegt.

Es wird empfohlen, die Schleifmaschine an einen separaten Stromkreis mit 16A Leistungtrennschalter oder Schmelzsicherung anzuschließen. Bei Anschluss an einen sicherungsgeschützten Stromkreis muss eine träge Sicherung mit der Kennzeichnung "T" verwendet werden.

Örtlich am Aufstell- bzw. Einsatzort bindende Vorschriften haben Vorrang vor den angeführten Empfehlungen.

8.0 Einstellungen

⚠️ WARNUNG

Vor der Ausführung von Einstell- oder Wartungsarbeiten die Maschine vom Stromnetz trennen, Netzstecker ziehen !

8.1 Höheneinstellung der Trommel

Trommelhöhe und Schleifzustellung werden mit der Höhenkurbel eingestellt (siehe Abb. 5-1). Die Kurbel im Uhrzeigersinn drehen, um die Trommel abzusenken und entgegen um sie anzuheben. Eine Umdrehung der Kurbel bewirkt eine Bewegung von ca. 1,6 mm (eine Vierteldrehung = etwa 0,4 mm).

8.2 Dickenskala

Die Dickenskala gibt den Abstand zwischen der Unterkante der Schleiftrommel und der Oberseite des Vorschubbands an. Die Einstellung wird durch "Nullen" der Skala vorgenommen.

1. Die Maschine von der Stromversorgung trennen.
2. Mit auf die Trommel aufgelegtem Schleifband die Trommel bis auf die Position absenken, an der sie das Vorschubband berührt.
3. In dieser Position muss der Zeiger der Dickenskala genau auf die Null-Marke der Skala ausgerichtet sein. Falls nicht, die beiden Schrauben lösen und die Skala anheben oder absenken, bis der Zeiger auf null steht.
4. Die Schrauben wieder anziehen.

Hinweis: Es kann erforderlich werden, diesen Prozess beim Anbringen verschiedener Schleifkörnungen zu wiederholen.

8.3 Verlängerungstische Einstellung (OPTIONAL)

Die optionalen Verlängerungstische können heruntergeklappt werden, für einen leichteren Zugang zur Maschine und für weniger Stellfläche.

Lösen Sie die Hebelgriffe an beiden Seiten, ziehen Sie den Tisch von der Maschine weg und klappen Sie ihn ab (Abb. 8-2).

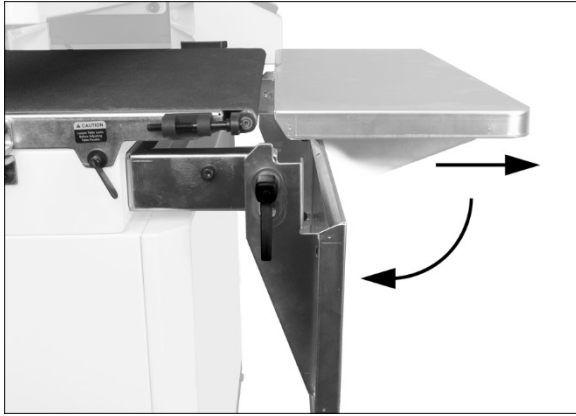


Abb. 8-2

8.4 Spannung/Führung des Vorschubbands

Während der Einlaufphase dehnt sich das Vorschubband, es kann erforderlich werden dies auszugleichen.

8.4.1 Einstellung der Bandspannung

1. Die Schleifmaschine von der Stromversorgung trennen.
2. Die Einstellschrauben (Abb. 8-3) auf beiden Seiten des Vorschubbandes mit einem 5-mm-Inbusschlüssel verstellen. Beiderseits gleich, um auf beiden Seiten in etwa die gleiche Bandspannung zu erhalten.

HINWEIS: Bei unzureichender Bandspannung rutscht das Vorschubband auf der angetriebenen Förderrolle durch. Das Vorschubband sitzt zu locker, wenn es während des Laufs von Hand leicht gestoppt werden kann.

Eine zu starke Bandspannung kann zu vorzeitigem Verschleiß der Rollenlager und des Vorschubbandes führen.

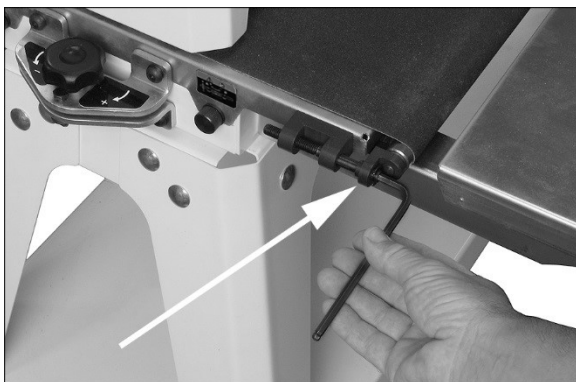


Abb. 8-3: Einstellung der Vorschubband-Spannung

8.4.2 Vorschub Bandlaufeinstellung

Das Vorschubband wird korrekt geführt, wenn es mittig auf den Förderrollen läuft und dabei nicht zu einer der beiden Seiten ausbricht.

1. Sicherstellen, dass eine korrekte Bandspannung erreicht ist (siehe Abschnitt 8.4.1).

2. Den Vorschub einschalten und auf maximale Geschwindigkeit einstellen. Beobachten, ob eine Tendenz zur "Verschiebung" des Vorschubbands zu einer Seite hin besteht. Falls ja, die Einstellschraube an dieser Seite anziehen.

Hinweis: Die Einstellschraube immer nur um jeweils 1/4-Drehung verstellen, nicht mehr. Abwarten, wie das Vorschubband darauf reagiert. Erst dann fortfahren.

Größere Einstellvorgänge möglichst vermeiden, da sie sich auf die Bandspannung auswirken.

8.4.3 Nachführeinrichtungen (Trackers)

Die Schleifmaschine wird mit "Nachführeinrichtungen" geliefert. Dies sind keramische Führungselemente, mit deren Hilfe das Ausmaß der Bandlauf-Justierung erheblich reduziert ist.

Diese Nachführeinrichtungen sind mit einem Magneten versehen, damit sie in Position bleiben. Ist eine Seite der Nachführeinrichtung abgenutzt, kann die Nachführeinrichtung umgedreht und weiter verwendet werden.

Siehe Abschnitt 11.0 Nachführeinrichtungen (Satz von 2 Stück) mit detaillierten Angaben zu Einstellung und Verwendung der Nachführeinrichtungen.

8.5 Überprüfen der Trommelausrichtung

Schleiftrommel und Vorschubtisch müssen parallel zueinander ausgerichtet sein. Bei unzureichender Trommelausrichtung, wie folgt vorgehen:

Zunächst die Ausrichtung mit einer geeigneten Lehre überprüfen:

1. Die Schleifmaschine von der Stromversorgung trennen.
2. Die Absaughaube öffnen und das Schleifband von der Trommel entfernen.
3. Die Lehre auf der Außenseite der Trommel (A, Abb. 8-4) zwischen Trommel und Vorschubtisch einführen.

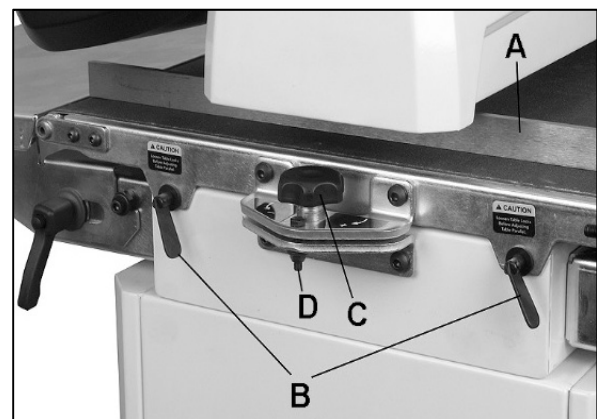


Abb. 8-4: Parallel Ausrichten der Trommel

4. Mit geöffneter Absaughaube die Schleiftrommel absenken und die Trommel gleichzeitig mit der

Hand drehen, bis die Trommel die Lehre leicht berührt.

- Die Lehre entfernen und auf der Innenseite unter der Trommel platzieren.
- Berührt die Trommel die Lehre nicht im gleichen Maß, ist eine Neuausrichtung erforderlich.

Neuausrichten des Vorschubtisches:

- Beide Tisch-Feststellschrauben (B, Abb. 8) lösen.
- Den Einstellknopf (C) drehen, um die Tischaußenseite anzuheben (+) bzw. abzusenken(-).
- Die Tisch-Feststellschrauben (B) wieder anziehen.

8.5.1 Schleifen von breiten Platten

Wenn die zu schleifenden Platten breiter sind als die Trommel ist die Tischausrichtung ein entscheidender Faktor, der Tisch muss an der Außenseite geringfügig tiefer sein. Damit wird die Bildung von Stufen auf dem Schleifgut vermieden.

Am besten vor dem Schleifen einen Test mit einem Stück Ausschussholz durchführen:

- Eine Holzplatte mit einer Breite von ca. 150 mm und einer Länge von 700 mm bis 1000 quer durch die Maschine laufen lassen, derart dass im ersten Durchgang ca. 50% der Fläche geschliffen wird.
- Dann - ohne Änderung der Trommelhöhe - die Platte um 180° drehen und mit etwas Überlappung die restliche Fläche schleifen.
- Ist eine Stufe an der Überlappungsstelle sichtbar, den Vorschubtisch durch Drehen des Einstellknaufs (C, Abb. 8-4) weiter absenken.
- Diesen Vorgang wiederholen, bis keine Stufe mehr vorhanden ist und die gesamte Platte geschliffen ist.

Hinweis: Beim Schleifen von schmalen Schleifgut in einem Durchgang, den Vorschubtisch wieder in die parallele Position bringen. Den Einstellknopf in die entgegengesetzte Richtung drehen, bis die Sicherungsmutter (D, Abb. 8-4) berührt wird. Die Sicherungsmutter dient als Festanschlag zur schnellen Rückkehr auf parallel.

8.6 Andruckrolle einstellen

Die Andruckrollen sind federbelastet, damit Druck auf das Werkstück ausgeübt wird und Rutschbewegungen vermieden werden.

Der Federdruck ist ab Werk voreingestellt, er kann bei Bedarf verstellt werden.

Auf der Trommel-Außenseite erhöhen oder verringern Sie den Rollendruck, indem Sie einen Schraubenzieher durch die Langlöcher der Abdeckplatte stecken (Abbildung 8-5) und die

Stellschrauben drehen. Die Abdeckplatte kann zum Zweck der Verstellung abgeschraubt werden. Die Stellschrauben an der Trommel-Innenseite lassen sich auf ähnliche Weise verstellen.

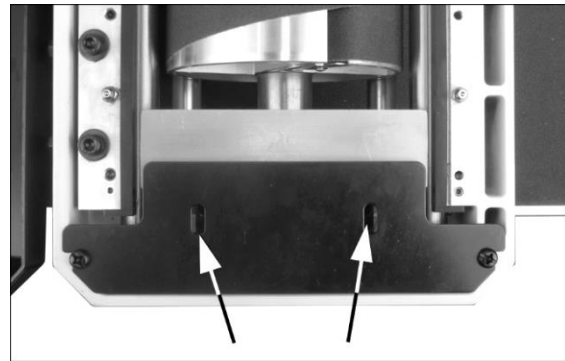
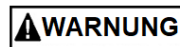


Abb. 8-5: Andruckrollen Druckeinstellung



Ein zu geringer Federdruck (und damit nicht funktionsfähige Andruckrollen) kann zu Werkstück-Rückstoß führen.

Ein zu hoher Andruckrollendruck kann zur Schleifstufe führen, eine sichtbare Fehlerlinie welche quer über die gesamte Breite der Platte verläuft, in ca. 60mm Abstand vom Plattenende.

Ist diese Fehlerlinie am vorderen Ende der Platte sichtbar, muss die Auslauf-Andruckrolle schwächer eingestellt werden, ist eine solche Fehlerlinie am hinteren Ende der Platte sichtbar, muss die Zustell-Andruckrolle schwächer eingestellt werden.

9.0 Bedienung und Betrieb

Vor der Verwendung der Zylinderschleifmaschine die vorangehenden Abschnitte zur Einstellung noch einmal lesen. Sicherstellen, dass ein Schleifband angebracht wurde und dass ein geeignetes Absaugsystem angeschlossen ist.

9.1 Betrieb des Trommel- und Vorschubmotors

- Die Maschine an die Stromversorgung anschließen.
- Den Not-Stopp Taster entriegeln, dazu den Taster (A, Abb. 9-1) im Uhrzeigersinn drehen und ziehen.

HINWEIS: Eine blinkende LED-Lampe (D) erinnert gegebenenfalls daran, den Vorschub komplett auszuschalten, bevor die Trommel gestartet werden kann.

- Den Trommelmotor mit dem Ein/Aus Schalter (B) starten.
- Den Vorschubmotor starten, dazu den Drehknopf (C) im Uhrzeigersinn drehen, sowie weiter zu drehen zur Erhöhung der Geschwindigkeit.

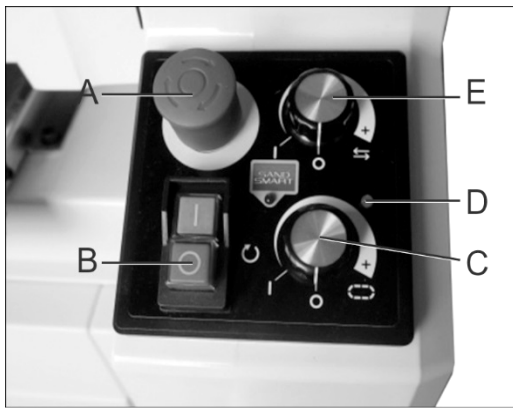


Abb. 9-1: Bedienpult

9.2 Schleifen mit Trommel-Oszillation

Die Schleifmaschine kann mit oder ohne Oszillation betrieben werden. Der obere Drehgriff (E, Abb. 9-1) aktiviert den Oszillationsmodus.

HINWEIS: Zum Schleifen ohne Oszillation, die Schleiftrummel vorher in eine mittige Lage bringen (Oszillation mittig über dem Vorschubband stoppen).

9.3 Grundlegende Bedienschritte

1. Die Schleiftiefe festlegen.
2. Das Staub-Absaugsystem einschalten.
3. Die Schleiftrummel starten.
4. Die Oszillation starten und die Oszillationsgeschwindigkeit wählen.
5. Den Vorschub starten und die Vorschubgeschwindigkeit wählen.
6. Schleifgut zuführen.

Das Schleifgut auf das Vorschubband legen und solange führen bis es von Vorschubband und Trommel sicher weiterbefördert wird.

Nachdem das Schleifgut halb durch ist, stellen Sie sich an die Auslaufseite, um den Austrag zu kontrollieren und das Schleifgut aufzunehmen.

VORSICHT

Zu Beginn des Zustellvorgangs wird das Schleifgut nach unten auf den Vorschubtisch gedrückt. Hierbei besteht Quetschgefahr für Finger und Hände.

VORSICHT

Die Trommelhaube erst dann öffnen, wenn die Trommel vollständig zum Stillstand gekommen ist.

9.4 Schleiftiefe einstellen

Die Schleiftiefe wird mit der Kurbel für die Höhenverstellung reguliert.

Die korrekte Schleiftiefe hängt von mehreren miteinander verbundenen Faktoren ab. Diese sind:

1. Schleifmitteltyp und -körnung.

2. Breite des zu bearbeitenden Werkstücks.
3. Holzart und -härte.
4. Vorschubgeschwindigkeit.

Zur Bestimmung der korrekten Schleiftiefe kann ein "Ausprobieren" erforderlich sein. Dazu Ausschussholz verwenden, um sich detaillierte Kenntnisse anzueignen und sich mit der Maschine vertraut zu machen.

HINWEIS: Für Schleifgutstärken unter 1,5mm wird die Verwendung einer Zuführlade (nicht mitgeliefert) empfohlen. Dies ist eine flache Platte, normalerweise aus Holz oder MDF und wird unter dem Werkstück gemeinsam mit diesem zugeführt. Das Werkstück kann mit Kitt, Spezialklebeband oder einem anderen leicht entfernbaren Klebstoff befestigt werden. Anwender benutzen oft eine gummierte oder strukturierte Oberfläche, zur Fixierung des Werkstücks nur durch Reibung.

9.5 Trommelhöhe festlegen

Als Faustregel für Schleifen mit 80-er Körnung oder feiner:

1. Das Schleifgut unter der Trommel positionieren. Die Trommel NICHT starten.
2. Die Trommel auf Schleifgutstärke absenken. Sicherstellen, dass die Trommel gerade noch mit der Hand gedreht werden kann, wenn sie das Schleifgut berührt.

WARUNG

Die Trommel nicht starten !

3. Bei unveränderter Trommelhöhe, den Vorschub einschalten und das Schleifgut aus der Maschine ausfahren.
4. Die Absaughaube schließen.
5. Die Schleiftrummel starten und das Schleifgut in eben dieser Position schleifen.

HINWEIS: Beim Schleifen mit einer Körnung gröber als 80 kann sofort leicht zugestellt werden.

VORSICHT

Stets sicherstellen, dass das Schleifgut gut geführt ist, damit es sich nicht verkantet oder rutscht, damit es nicht zu Rückstoß kommt.

9.6 Vorschubgeschwindigkeit für SandSmart™

Eine höhere Vorschubgeschwindigkeit ermöglicht schnelleres Schleifen. Eine niedrigere Vorschubgeschwindigkeit ergibt mehr Trommelumdrehungen pro Strecke, für höhere Schleiftiefen, für weniger Schleifwiderstand.

Beginnen Sie probeweise mit ca. 50% der maximalen Vorschubgeschwindigkeit. Die Wahl der am besten geeigneten Vorschubgeschwindigkeit hängt von einer Reihe von Faktoren ab. Dazu gehören Schleifguttyp, Körnung und Schnitttiefe.

Ferner auch die Art der Zuführung, entweder direkt in einer Flucht mit dem Vorschubtisch oder unter einem bestimmten Winkel.

Wird der Motor heruntergeregelt, rutscht das Vorschubband durch oder werden wellige Bereiche auf der Schleifgutoberfläche festgestellt, so muss die Vorschubgeschwindigkeit verringert werden.

Bei glatter Oberflächengüte und nicht zu starker Beanspruchung der Maschine kann auch mit höheren Vorschubgeschwindigkeit experimentiert werden.

Die SandSmart™ Steuerung führt eine ständige Überwachung der Trommel-Motorlast durch und regelt die Vorschubgeschwindigkeit, zur Aufrechterhaltung einer möglichst hohen Vorschubgeschwindigkeit ohne Motor-Überlastung. Leuchtet die rote Anzeigelampe (A, Abb. 9-2) auf, so hat die SandSmart™ Steuerung eine zu große Schleiftiefe und/oder eine zu hohe Vorschubgeschwindigkeit erfasst.

Nimmt die Last des Trommelmotors ab, erhöht die SandSmart™ Steuerung die Vorschubgeschwindigkeit, jedoch nicht höher als die am Drehregler voreingestellte Geschwindigkeit.

Die durchgehend gleichmäßigste Oberfläche wird erzielt, wenn die Vorschubgeschwindigkeit während der Bearbeitung nicht verändert wird.



Abb. 9-2: SandSmart™ Anzeigelampe

Falls sich Brandmarken zeigen, eine höhere Vorschubgeschwindigkeit wählen, bei reduzierter Schleiftiefe. Eine leichte Anwinklung des Schleifguts beim Zuführen reduziert auch die Entstehung von Brandmarken.

Siehe dazu auch die Erläuterungen im Kapitel "Störungsabhilfe" (Abschnitt 13 dieses Handbuchs).

9.7 Tipps zum Erzielen der optimalen Leistung

Die Vielseitigkeit, welche schon bei Entwurf und Konstruktion der JWDS- Schleifmaschinen im Vordergrund stand, ermöglicht eine Vielzahl von Aufgaben und Anwendungen, für eine schnelle Amortisierung. So werden beispielsweise

Feinschleifarbeiten beschleunigt, welche häufig mit langsamen Handschleifgeräten bei hohem Schleifstaubaufkommen ausgeführt werden.

Diese Schleifmaschine kann zur Oberflächenbearbeitung von figurierten Hölzern - z.B. Vogelaugenahorn oder Riegelahorn - verwendet werden, ohne dass Oberflächenschäden verursacht werden. Würden diese Hölzer eine Hobelmaschine durchlaufen, würden sie beschädigt.

Nutzen Sie die verschiedenen Einstellmöglichkeiten. Die besten Resultate ergeben sich aus der Erprobung verschiedener Schleifkörnungen und Maschineneinstellungen angepasst an die jeweils auszuführende Aufgabe.

Nachfolgend finden sie hilfreiche Tipps, die Ihnen bei der Steigerung der Leistungsfähigkeit Ihrer Schleifmaschine helfen.

9.7.1 Staubabsaugung

Beim Anschließen an eine Absaugeinrichtung ist zu beachten, dass es bei geraden Rohrleitungen zu weniger Luftwiderstand kommt als bei Schläuchen. Hosenstücke (Y-Stücke) und Rohrbögen schränken den Luftstrom weniger ein als T-Stücke. Schläuche mit einem Durchmesser von weniger als 80 mm sollten nicht verwendet werden.

9.7.2 Schleifen mehrerer Teile auf gleiche Stärke

Beim Schleifen mehrerer Werkstücke auf die gleiche Stärke, ist es am besten, die Stärke des dünnsten Teils zu ermitteln und alle Teile bei gleicher Einstellung auf eben diese Stärke zu bearbeiten.

9.7.3 Gleichzeitiges Schleifen mehrerer Werkstücke

Werden mehrere Werkstücke gleichzeitig geschliffen, sicherstellen, dass die Teile versetzt auf dem Vorschubtisch platziert werden. Auf diese Weise ist ein besserer Kontakt mit den Andruckrollen gegeben.

Möglichst nur Werkstücke gleicher Stärke bearbeiten. Gibt es erhebliche Stärkenunterschiede, können die dünneren Werkstücke auf dem Vorschubband ins Rutschen geraten. Ist dies der Fall, ist kein Kontakt mit den Andruckrollen mehr gegeben.

Außerdem beachten, dass Werkstücke, die stärker als 20 mm sind, länger sein müssen als der empfohlene Mindestwert, damit das Werkstück nicht kippt.

9.7.4 Kanten schleifen

Beim Kantenschleifen bildet die Schleifmaschine die Form der gegenüberliegenden Kante nach. Daher ist es wichtig, dass die Kante vor dem Schleifprozess im korrekten Winkel ist.

Beim Kantenschleifen von Schleifgut mit weniger als 20 mm Breite bzw. mehr als 50 mm Höhe besteht Kippgefahr. Es ist empfehlenswert, mehrere Werkstücke zusammenzuklemmen, damit sie auf dem Vorschubband nicht rutschen oder kippen.

9.7.5 Unregelmäßig geformtes Schleifgut schleifen

Beim Schleifen von unebenem Schleifgut muss die Erhebung oben und die hohle Seite unten sein. Dadurch wird das Schleifgut stabilisiert und kann während des Schleifvorgangs nicht kippen oder schaukeln. Erst nach dem Entfernen der Erhebungen das Schleifgut umdrehen und die gegenüberliegende Seite schleifen. Bei gebogenem, verdrehtem oder ungleich dickem Schleifgut ist besondere Vorsicht geboten. Das Schleifgut während der Bearbeitung sicher führen und abstützen, damit es nicht verrutscht oder kippt. Lange Werkstücke durch zusätzliche Rollenständer oder durch Mithilfe einer weiteren Person abstützen.

9.7.6 Rahmen und Kassettenüren

Ein durchgehender Schleifkontakt ist wichtig. Wird die Maschine auf eine zu große Schleifftiefe eingestellt, kann dies zu starken Absenkungen führen.

Absenkungen oder Riefen können vermieden werden, durch Verringerung der Vorschubgeschwindigkeit während der Bearbeitung einer Querstrebe (Schleifen über große Breite). Der Druck auf das Schleifband wird dadurch reduziert, es kann eine gleichmäßigere Oberfläche erzielt werden.

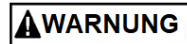
Es kann auch hilfreich sein, das Schleifgut beim Zuführen auf das Vorschubband anzuwinkeln.

9.7.7 Schleifgut Zuführwinkel

Einige Teile müssen auf Grund ihrer Abmessungen mit einem Winkel von 90° (im rechten Winkel) zur Trommel zugeführt werden. Jedoch, schon ein kleiner Schleifgutversatzwinkel führt zu einem effizienteren Materialabtrag. Der optimale Schleifgutzuführwinkel beträgt ca. 60°.

Das Anwinkeln des Werkstücks bietet weitere Vorteile, wie z.B. eine gleichmäßigere Abnutzung der Schleifbänder durch Klebefugen oder Harzgallen, eine mögliche höhere Vorschubgeschwindigkeit sowie eine niedrigere Motorbelastung. Die letzten zwei Schleifdurchgänge erfolgen ohne Anstellwinkel, in Faserrichtung, dies ergibt das beste Schleifbild.

10.0 Wartung



Vor Wartungsarbeiten an der Maschine muss sie von der Stromversorgung getrennt werden (Stecker abziehen). Bei Nichtbeachtung kann es zu schwerwiegenden Verletzungen kommen.

10.1 Reinigung und Schmierung

Machen Sie die Reinigung zur regelmäßigen Werkstattoutine. Staubansammlung führt zum vorschnellen Zusetzen des Schleifbandes, zum Rutschen des Schleifguts, im Inneren der Trommel zu Unwucht und Vibrationen.

Das Vorschubband nach der Reinigung mit einer Bürste von Staub befreien.

HINWEIS: Die Trommellager sind dauergeschmiert und versiegelt. Es ist keine Schmierung erforderlich.

- Die Buchsen der Vorschubwalzen gelegentlich schmieren und auf Verschleiß prüfen.
- Die Höhenspindel (A, Abb. 10-1) gelegentlich schmieren.
- Schleifstaub vom Schleifband entfernen, den Staub vom Vorschubband abbürsten.
- Die Gleitbereiche der Motorplatte (B, Abb. 10-1) sauber halten.
- Alle 150 Betriebsstunden die 5 Schmiernippel (C, Abb. 10-2) mit Lagerfett (NLGI # 2, DIN 51818) schmieren. *Nicht überfetten.*
- Schleifstaub von den Motoren entfernen.
- Staub aus dem Schleiftrommelinneren herausblasen, da dieser Unwucht und Vibrationen verursachen kann (die Absauganlage laufen lassen während Sie die Trommel ausblasen).
- Die Feststellschrauben der Kupplungen auf festen Sitz überprüfen.

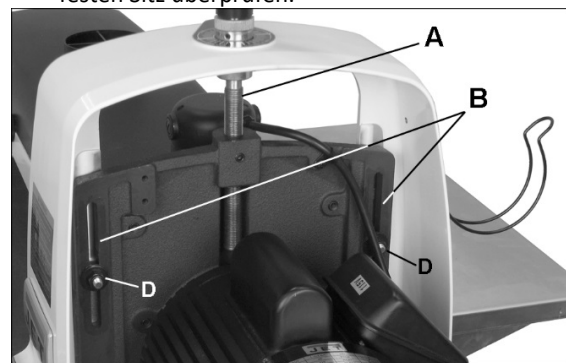


Abb. 10-1 Schmierstellen

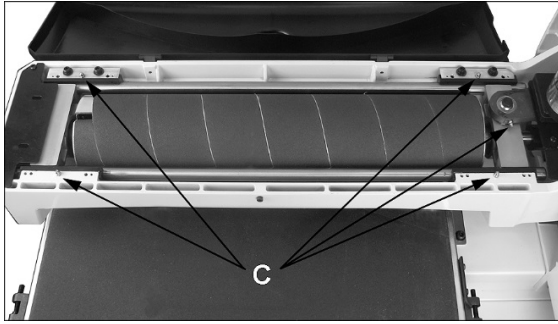


Abb. 10-2: Schmierstellen

10.2 Höhenführung einstellen

Falls die Höhenverstellung schwergängig ist, oder sich der Trommelträger übermäßig bewegt oder biegt, stellen Sie die Höhenführung neu ein.

Ziehen Sie alle 4 selbstsichernden Muttern (D, Abb. 10-1) an der Motorplatte fest und lösen Sie sie nachher 1/8 bis 1/4 Umdrehung.

Wenn die Muttern zu streng eingestellt sind, lässt sich die Höhenkurbel nur schwer bewegen.

Wenn die Muttern zu locker sind, führt dies zu einer übermäßigen Durchbiegung des Trommelträgers.

10.3 Vorschubband auswechseln

1. Die Maschine von der Stromversorgung trennen.
2. Die Trommel in die höchste Position anheben.
3. Die Vorschubbandspannung lösen (Abb. 8-2) und dann die Spannrolle ganz nach innen schieben.
4. Die zwei (2) Schrauben, mit denen der Vorschubtisch am Sockel befestigt ist, lösen.
5. Die zwei (2) Schrauben, mit denen der Vorschubtisch an der Tischhalterung (E, Abb. 10-3) befestigt ist, lösen.
6. Die zwei Tischklemmungen (F, Abb. 10-3) lösen.
7. Den Vorschubtisch anheben und vorsichtig von der Maschine abnehmen. Darauf achten dass sich das Vorschubband unter dem Tisch nicht verhakt und reißt. Darauf achten dass die *Nachführeinrichtungen nicht herunterfallen, da sie leicht zerbrechen.*
8. Den Vorschubtisch auf die Seite legen und das Vorschubband entfernen.
9. Das neue Vorschubband zusammen mit den Nachführeinrichtungen (siehe *Abschnitt 11.0*) anbringen und den Vorschubtisch wieder auf die Maschine montieren. Das Vorschubband spannen und den Bandlauf einstellen.

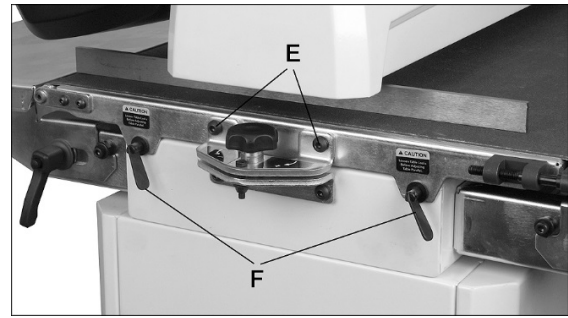


Abb. 10-3

Hinweis: Läuft das Vorschubband kontinuierlich zu einer Seite der Maschine hin, kann ein Seitentausch des Vorschubbandes dieses Problem beheben.

Überprüfen Sie mit einer Wasserwaage ob der Vorschubtisch uneben verschränkt ist, falls ja - das Maschinengestell neu nivellieren.

Schritt 1: Kontrollieren, ob die Antriebsrolle und die Spannrolle parallel zur Tischoberfläche verlaufen. Dazu zunächst das Vorschubband auf dem Tisch zentrieren. Dann auf beiden Seiten ein Lineal auf den Vorschubtisch legen und auf beiderseits gleichen vertikalen Abstand zwischen Rolle und Lineal achten.

Schritt 2: Stimmen diese Abstände nicht überein, einen der Rollenhalter lösen und neigen, bis der Abstand zwischen Rolle und Lineal auf beiden Seiten der Rolle gleich groß ist. Danach die Halterung wieder festziehen.

10.4 Überprüfung der Motorbürsten

Die zwei Kohlebürsten alle zwei Monate überprüfen. Verschlissene Kohlebürsten können zum Ausfall des Motors führen. Falls eine Bürste verschlissen ist, beide Bürsten gemeinsam austauschen.

1. Die Maschine von der Stromversorgung trennen.
2. Die Bürstenkappe abschrauben (Abb. 10-4).
3. Den Messingclips vorsichtig hochhebeln, bis er aus der Öffnung springt. (Beim Ausbau auf die Ausrichtung der Bürsten achten! Die Bürste muss in gleicher Lage wieder eingebaut werden, damit sie der Wölbung des Kommutators entspricht) Die Bürste sollte ausgetauscht werden, wenn einer der folgenden Punkte zutrifft:
 - Die Bürste ist verschlissen und nur noch 13 mm lang.
 - Anzeichen von Abbröckelung, Verbrennung oder Bruch.
 - Löchrige Stellen am Bürstenende.
 - Anormale Verfärbung der Feder
 - Feder zusammengedrückt und defekt
4. Eine neue Bürste einsetzen (bzw. die aktuell verwendete Bürste wieder anbringen) und vorsichtig bis zum Anschlag in die Öffnung hineindrücken, bis der Messingclip einrastet und fest sitzt.
5. Die Bürstenkappe anbringen.

6. Den Vorgang für die andere Bürste wiederholen.

HINWEIS: Zum Einlaufen der neuen Bürsten, die Maschine einige Minuten lang ohne Last betreiben.

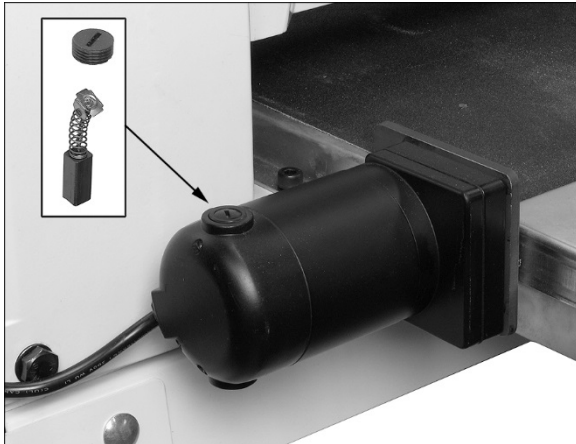


Abb. 10-4

10.5 Zusätzliche Wartung

Alle zusätzlich erforderlichen Wartungsarbeiten müssen von einem autorisierten Servicetechniker durchgeführt werden.

11.0 Nachführeinrichtungen

Trackers, Satz von 2 Stück, Bestell-Nr.: PM2244-213

Dank der Nachführeinrichtungen (Trackers) muss der Bandlauf des Vorschubbands erheblich weniger oft nachjustiert werden. Die Trackers sind in Ihrer Schleifmaschine bereits installiert.

Für den Fall dass die Nachführeinrichtungen ausgetauscht werden müssen.

1. Die Maschine von der Stromversorgung trennen.
2. Den Vorschubtisch von der Maschine abschrauben (zu Ausbau und Wiedereinbau des Vorschubtisches, siehe Abschnitt 10.3).
3. Auf der Unterseite des Vorschubtisches sind U-förmige Kanäle angeschweißt. Die Nachführeinrichtung befindet sich auf der Innenseite des ersten U-Kanals auf der Zustellseite (Abb. 11-1). Die Rückseite der Nachführeinrichtung ist magnetisiert und haftet fest an der Seitenwand des Vorschubtisches.

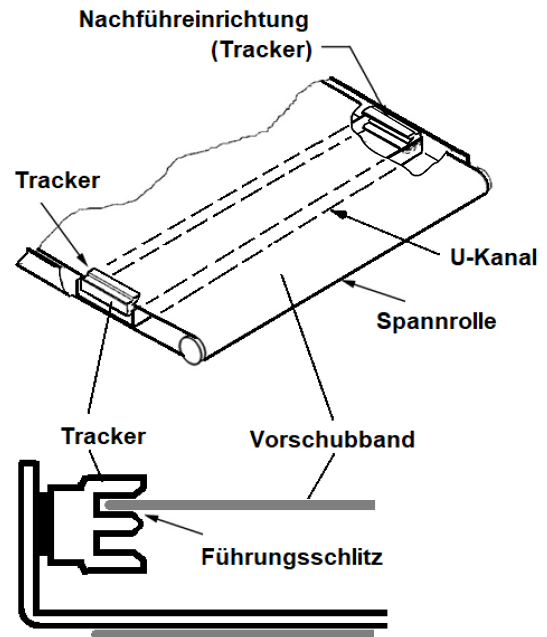


Abb. 11-1: Unterseite der Fördereinheit

4. Bei korrekt installierter Nachführeinrichtung läuft das Vorschubband gerade durch den Führungsschlitz.

Hinweis: Der zweite Führungsschlitz kann verwendet werden, nachdem der erste abgenutzt ist.

5. Sicherstellen, dass die Nachführeinrichtung vom Magneten in ihrer Position gehalten wird.
6. Den Vorschubtisch wieder einbauen.
7. Den Führungsvorgang des Vorschubbands beobachten und nur bei Bedarf nachjustieren.

12.0 Schleifmittel

Das ausgewählte Schleifmittel hat großen Einfluss auf die Leistungsfähigkeit Ihrer Schleifmaschine. Papiertyp, Körnung, Streuung und Abriebfestigkeit tragen erheblich zur Oberflächengüte bei.

12.1 Schleifmittel auswählen

Es ist wichtig, die richtige Schleifmittel Körnung für die jeweilige Schleifarbeit auszuwählen.

Wie bei jedem Schleifprozess mit einer größeren Körnung beginnen, danach nach und nach zu immer feineren Körnungen durcharbeiten. In Tabelle 2 sind Anwendungszwecke für verschiedene Körnungen aufgeführt.

Die Materialabtragsmenge ist ein wesentlicher Faktor bei der Auswahl der Körnung. Die Körnungen 24, 36, 40 und 60 sind in erster Linie für Materialabtrag ausgelegt. Mit den Körnungen 24 und 36 wird am meisten Material in einem Durchgang abgetragen.

Die Körnungen 100 bis 220 sind in erster Linie für Fertigschleifen.

Zur Erzielung der besten Ergebnisse, im Schleifprozess niemals mehr als eine Körnung überspringen. Bei Feinarbeiten, wie z.B. Schleifen an Möbelstücken, möglichst keine Körnung auslassen.

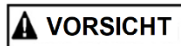
Im Allgemeinen wird mit hochwertigen Schleifmitteln eine höhere Oberflächengüte mit weniger auffälligem Kratzmuster erzielt.

Hinweis: Zu feine Körnungen können das Holz so stark glätten bzw. polieren das Beizen nicht mehr gleichmäßig aufgenommen werden. Dies ist je nach Holzart unterschiedlich, Eichenholz beispielweise ist aufgrund seiner offenen Poren besonders anfällig.

12.2 Schleifmittel abreinigen

Das Schleifband auf der Trommel regelmäßig mit einem handelsüblichen Schleifbandreinigungsstift reinigen. Auch die sich vom Stift ablösenden Reinigungspartikel von der Trommel entfernen.

In einigen Fällen können stark zugesetzte Bereiche mit auf Kante gehaltenem Plexiglas entfernt werden.



Beim Reinigen von Schleifband stets einen Augen- und Staubschutz tragen. Vorsichtig vorgehen, zur Vermeidung des Kontakts der Hände und der Kleidung mit der sich drehenden Trommel.

12.3 Schleifmittellebensdauer verlängern

Die Lebensdauer von Schleifmitteln kann nicht nur durch Reinigen verlängert werden, sondern auch durch Entfernen des Schleifbands von der Trommel und anschließendes Wenden. Durch das Wenden des Schleifbands erhält man einen neuen Satz Schleifkanten.

12.4 Tabelle für Schleifmittelauswahl

Körnung	Übliche Anwendung
24, 36	Schleifhobeln, maximaler Materialabtrag, Entfernen von Klebstoffresten.
40, 60	Grobes Schleifen auf Maß, Abrichten von verzogenen Platten
80	Schleifen auf Maß, Entfernen von Hobelriefen
100	Leichte Oberflächenbearbeitung
120	Leichte Oberflächenbearbeitung, nur geringer Materialabtrag.
150	Schlichtschleifen, minimaler Materialabtrag
180	Schlichtschleifen, ohne Materialabtrag.
220	Schlichtschleifen, ohne Materialabtrag.

Tabelle 2

13.0 Störungsabhilfe JWDS-2244OSC-M Zylinderschleifmaschine

Symptom	Mögliche Ursache	Gegenmaßnahme *
Trommelmotor startet nicht nach Betätigung des EIN-Schalters.	Kein Eingangsstrom	Anschlüsse/Verbindungen an Stecker oder Stromkreis überprüfen.
	Spannung zu niedrig.	Netzleitung auf korrekte Spannung überprüfen.
	Offener Stromkreis im Motor oder gelockerte Verbindung/Anschluss.	Alle Zuleitungsanschlüsse am Motor auf gelockerte oder offene Verbindung überprüfen.
	Fehlfunktion des Schalters.	Schalter auswechseln.
Trommelmotor startet nicht: Sicherungen durchgebrannt oder Trennschalter wurden ausgelöst.	Kurzschluss in Netzleitung oder -stecker.	Netzleitung oder -stecker auf schadhafte Isolierung und kurzgeschlossene Leiter überprüfen.
	Kurzschluss im Motor oder gelockerte Verbindungen/Anschlüsse.	Alle Verbindungen/Anschlüsse am Motor auf gelockerte oder kurzgeschlossene Klemmen oder abgenutzte Isolierung überprüfen.
	Falsche Sicherung oder falscher Trennschalter in Netzleitung.	Korrekte Sicherung bzw. korrekten Trennschalter installieren.
Trommelmotor-Überhitzung.	Luftstrom durch den Motor eingeschränkt.	Motorlüfter mit Druckluft reinigen, um normale Luftzirkulation wieder herzustellen.
	Motor überlastet (SandSmart™ Steuerung funktioniert nicht korrekt).	Steuerungen/Regelungen überprüfen und reparieren lassen.
Trommelmotor stirbt ab, dies führt zu durchgebrannten Sicherungen oder Auslösung von Trennschaltern.	Kurzschluss im Motor oder gelockerte Verbindungen/Anschlüsse.	Verbindungen/Anschlüsse am Motor auf gelockerte oder kurzgeschlossene Klemmen oder abgenutzte Isolierung überprüfen.
	Spannung zu niedrig.	Spannungsbedingungen korrigieren.
	Falsche Sicherung oder falscher Trennschalter in Netzleitung.	Korrekte Sicherung bzw. korrekten Trennschalter installieren.
Wiederholte, laute Geräusche oder Vibrationen aus der Maschine.	Gelockerte Befestigungselemente.	Befestigungselemente überprüfen und falls erforderlich festziehen.
	Motorlüfter schlägt gegen die Lüfterhaube.	Lüfter festziehen bzw. Abstand zur Lüfterhaube vergrößern.
	Maschine steht uneben, ist nicht korrekt nivelliert.	Die Schleifmaschine auf ebener Fläche aufstellen; bei Bedarf mit Beilagscheiben/Distanzstücken korrigieren.
Vorschubmotor stoppt.	Zu große Schleiftiefe.	Schleiftiefe verringern, gröbere Körnung verwenden, Vorschubgeschwindigkeit verringern.
Vorschubband bewegt sich nicht.	Wellenkupplung gelockert oder nicht angebracht.	Wellenkupplung in Ordnung bringen.
Aussetzer im Vorschubrollenbetrieb.	Wellenkupplung gelockert.	Getriebemotor und Antriebsrolle aufeinander ausrichten und Gewindestifte der Wellenkupplung festziehen.
Vorschubband rutscht auf der Antriebsrolle durch.	Bandspannung nicht korrekt.	Bandspannung korrigieren.
	Zu große Schleiftiefe und/oder Vorschubgeschwindigkeit.	Schleiftiefe und/oder Vorschubgeschwindigkeit verringern.
Schleifband löst sich von der Trommel.	Schleifband sitzt zu locker auf der Trommel.	Schleifband straffen.
	Schleifband nicht korrekt aufgewickelt.	Den Abschnitt zum Anbringen des Schleifbands lesen und neu aufwickeln.

Symptom	Mögliche Ursache	Gegenmaßnahme *
Schleifband sitzt zu locker.	Schleifband hat sich an Innenkante der Schlitzöffnung der Trommel verfangen.	Schleifbandende in Schlitzöffnung neu ausrichten und/oder Schleifbandende kürzen.
	Schleifband nicht korrekt abgeschnitten.	Neu abschneiden und Schleifband wieder anbringen.
Schleifband setzt sich vorzeitig zu.	Zu große Schleiftiefe.	Die Schleiftiefe verringern.
	Vorschubgeschwindigkeit zu hoch.	Vorschubgeschwindigkeit verringern.
	Staubabsaugung nicht effizient.	Absaugleistung erhöhen.
	Falsches, ungeeignetes Schleifmittel.	Schleifmittel mit offener Streuung verwenden.
Wellen oder Rillen im Schleifgut.	Vorschubgeschwindigkeit nicht gleichförmig.	Vorschub während der Bearbeitung nicht stoppen oder verändern.
Fehlerlinien.	Andruckrollen-Druck zu hoch.	Rollenandruck verringern.
Brandmarken am Holz.	Schleifband hat Überlappungen.	Schleifband neu aufwickeln.
	Schleifmittel hat sich zugesetzt.	Schleifmittel reinigen.
	Zu große Schleiftiefe für feine Körnung.	Gröbere Körnung verwenden oder Schleiftiefe verringern.
	Vorschubgeschwindigkeit zu niedrig.	Vorschubgeschwindigkeit erhöhen.
	Schleifmittel ist abgenutzt.	Schleifmittel austauschen.
Werkstück rutscht auf dem Vorschubband.	Andruckrollen-Druck zu niedrig.	Rollenandruck erhöhen.
	Vorschubgeschwindigkeit zu hoch.	Vorschubgeschwindigkeit verringern.
	Vorschubband verschmutzt oder verschlissen.	Das Vorschubband absaugen/reinigen oder austauschen.
Geschliffene Fläche ist wellig. A. Wellen in ungleichmäßigen Abständen zueinander. B. Wellen in gleichmäßigen Abständen zueinander.	A. Vorschub ungleichmäßig.	Vorschubband rutscht durch (siehe oben) Platte rutscht auf dem Band (siehe oben). Vorschubmotor stoppt (siehe oben).
	B. Vorschubtisch biegt sich oder vibriert.	Schleiftiefe und/oder Vorschubgeschwindigkeit verringern. Auf gelockerte Schrauben, gelockerte Gewindestifte der Wellenkupplung oder unrund laufende Trommel überprüfen.
Rillen im Holz.	Schleifgut rutscht auf dem Vorschubband hin und her.	Schleiftiefe oder Rollenandruck korrigieren.
	Werkstück wird nicht korrekt abgestützt.	Rollenböcke zur zusätzlichen Werkstückabstützung verwenden

* **WARNUNG:** Einige Korrekturen und Abhilfemaßnahmen müssen unter Umständen von einem qualifizierten Elektriker durchgeführt werden.

Tabelle 3

14.0 Optionales Zubehör für JWDS-2244OSC-M

723551 Abklappbare Tischverlängerungen für JWDS-2244OSC-M / JWDS-2550-M
723552 Digitale Dickenanzeige

FR - FRANÇAIS

Instructions de fonctionnement

Cher client,

Nous vous remercions pour la confiance que vous nous avez témoignée en achetant votre nouvelle machine JET. Ce manuel a été préparé pour le propriétaire et les opérateurs de la **ponceuse à cylindre oscillant JET JWDS-2244OSC-M** pour promouvoir la sécurité lors des procédures d'installation, de fonctionnement et de maintenance. Veuillez lire et comprendre les informations contenues dans ces instructions de fonctionnement et les documents les accompagnant. Lisez attentivement ce manuel et suivez soigneusement les instructions pour obtenir la durée de vie et l'efficacité maximales de votre machine et pour l'utiliser en toute sécurité.

Table des matières

Chapitre	Page
1. Déclaration de conformité	3
2. Garantie.....	3
3. Sécurité	3
3.1 Usage autorisé	3
3.2 Consignes de sécurité générales.....	3
3.3 Autres dangers.....	4
3.4 Etiquettes et positions.....	4
4.0 Spécifications	5
5.0 Caractéristiques et terminologie	6
6.0 Réglage et montage	7
6.1 Contenu d'expédition	7
6.2 Outils nécessaires au montage	7
6.3 Montage du support.....	8
6.4 Montage de la ponceuse sur le support	8
6.5 Poignée et support tuyau	7
6.6 Tables d'entrée et de sortie (accessoire en option).....	8
6.7 Collecte des poussières.....	9
6.8 Installation des abrasifs	9
7.0 Connexions électriques.....	10
8.0 Réglages.....	10
8.1 Contrôle de la hauteur du cylindre	10
8.2 Echelle de profondeur	10
8.3 Montage et réglage des tables d'entrée / sortie pliantes (accessoires en option)	10
8.4 Alignement/tension de la courroie transporteuse	11
8.5 Vérification de l'alignement du cylindre	11
8.6 Réglage du rouleau de tension	12
9.0 Fonctionnements	12
9.1 Fonctionnement du moteur de courroie et du cylindre.....	13
9.2 Mode oscillant.....	13
9.3 Procédure de fonctionnement de base	13
9.4 Réglage de la profondeur de coupe.....	13
9.5 Détermination de la hauteur du cylindre.....	13
9.6 Sélection des vitesses d'avance SandSmart™	14
9.7 Conseils pour une performance maximale.....	14
10.0 Entretien par l'utilisateur	15
10.1 Nettoyage et lubrification.....	15
10.2 Entretien du cylindre	15
10.3 Remplacement de la courroie transporteuse	16
10.4 Inspection du balais de collecteur	16
10.5 Entretien supplémentaire.....	17
11.0 Kit d'aligneur	17
12.0 Abrasifs	18
12.1 Sélection des abrasifs du cylindre.....	18
12.2 Nettoyage des bandes abrasives	18
12.3 Augmentation de la durée de vie de l'abrasif.....	18
12.4 Guide de sélection d'abrasif	19
13.0 Dépannage de la ponceuse à cylindre	19
14.0 Accessoires en option	20

1. Déclaration de conformité

Nous déclarons sous notre seule responsabilité que le produit est conforme aux réglementations listées à la page 2. Conçu en prenant compte des standards.

2. Garantie

TOOL France SARL garantit que le produit fourni est exempt de défauts matériels et de défauts de fabrication.

Cette garantie ne couvre pas les défauts qui sont causés, directement ou indirectement, par l'utilisation incorrecte, la négligence, les dommages accidentels, la réparation, la maintenance ou le nettoyage incorrects et l'usure normale.

Les détails sur la garantie (période de garantie par exemple) peuvent être trouvés dans les conditions générales (GTC) faisant partie intégrante du contrat. Ces conditions générales peuvent être consultées sur le site web de votre revendeur ou vous être envoyées sur demande.

TOOL France SARL se réserve le droit d'effectuer des changements sur le produit et les accessoires à tout moment.

3. Sécurité

3.1 Usage autorisé

Cette ponceuse à cylindre est conçue pour poncer uniquement du bois et des matériaux similaires. Le ponçage d'autres matériaux est interdit et ne peut être réalisé que dans des cas très spécifiques, uniquement après concertation avec le fabricant.

La machine n'est pas adaptée au ponçage humide.

Le bon usage implique la conformité aux instructions de fonctionnement et de maintenance fournies dans ce manuel.

La machine ne doit être mise en marche que par des personnes familiarisées à son fonctionnement et son entretien et qui en connaissent également les risques.

L'âge minimal nécessaire doit être respecté.

La machine ne doit être utilisée que dans un parfait état de fonctionnement.

Lors du fonctionnement de la machine, tous les mécanismes de sécurité et couvercles doivent être montés.

Vous devez vous conformer aux règles techniques concernant le fonctionnement des machines à bois en plus des exigences de sécurité comprises dans ces instructions de fonctionnement et des réglementations applicables à votre pays.

Toute autre utilisation est strictement interdite. En cas d'usage non autorisé, le fabricant renonce à toute responsabilité qui est transférée à l'opérateur.

3.2 Consignes de sécurité générales

Les machines à bois peuvent être dangereuses si elles ne sont pas utilisées correctement. Par conséquent, les règles techniques générales ainsi que les consignes suivantes doivent être observées.



Lisez attentivement et comprenez tout le manuel d'instructions avant l'installation ou le fonctionnement.



Gardez les instructions de fonctionnement à proximité de la machine, à l'abri de la poussière et de l'humidité, et transmettez-les au nouveau propriétaire si vous vous séparez de l'outil.

Aucun changement ne doit être effectué sur la machine.

Contrôlez quotidiennement la fonction et l'existence des dispositifs de sécurité avant de démarrer la machine. Ne faites pas fonctionner dans le cas contraire ; protégez la machine en débranchant le cordon d'alimentation.

Avant de faire fonctionner la machine, retirez les cravates, les bagues, les montres et autres bijoux et retrousser les manches jusqu'au-dessus des coudes. Enlevez tout vêtement ample et attachez les cheveux longs.

Portez des chaussures de sécurité ; ne portez jamais de sandales ou de chaussures de ville.

Portez toujours un équipement de travail conforme.

- lunettes de protection
- protection respiratoire
- protection contre la poussière



Ne portez pas de vêtements et des gants amples alors que vous utilisez cette machine.

Installez la machine de telle sorte qu'il y ait suffisamment d'espace pour la manipulation de la pièce et un fonctionnement sûrs.

Maintenez la zone de travail bien éclairée.

La machine est conçue pour fonctionner dans des espaces clos et doit être placée sur une surface de table ferme et plane ou sur le support d'armoire fourni.

Assurez-vous que le cordon d'alimentation n'entrave pas le travail et ne cause pas de glissades. Maintenez le sol autour de la machine propre et exempt de rebut, d'huile et de graisse.

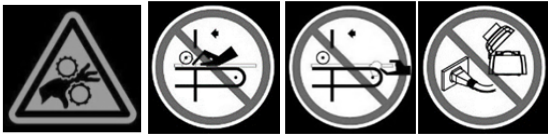
Restez sur le qui-vive ! Concentrez-vous sur votre travail.

Faites preuve de bon sens. Ne faites pas fonctionner la machine lorsque vous êtes fatigué.

Gardez une position confortable. Gardez en permanence une posture équilibrée.

Ne faites pas fonctionner la machine sous l'emprise de drogues, d'alcool ou de tout médicament. Soyez conscient que les médicaments modifient votre comportement.

Ne touchez jamais la machine pendant son fonctionnement ou son arrêt.



Fermez toujours le couvercle du cylindre avant de démarrer la machine.

Maintenez vos mains éloignées du logement du cylindre et de la courroie transporteuse lorsque vous engagez la pièce.

Gardez les visiteurs et les enfants à une distance sécuritaire de la zone de travail.

Ne laissez jamais la machine fonctionner sans surveillance. Avant de quitter l'espace de travail, désactivez la machine.

Ne faites pas fonctionner l'outil électrique à proximité de gaz ou de liquides inflammables. Renseignez-vous sur les options d'alerte et de lutte d'incendie, par exemple l'emplacement et le fonctionnement de l'extincteur d'incendie.

N'utilisez pas la machine dans une décharge et ne l'exposez pas à la pluie.

La poussière de ponçage est explosive et peut présenter un risque pour votre santé. Utilisez toujours un dispositif d'extraction de poussière adapté.

Avant l'usinage, retirez les clous et autres corps étrangers de la pièce.

Travaillez uniquement avec des outils bien affûtés.

N'usinez que des morceaux maintenus en toute sécurité sur la table.

Fermez toujours le couvercle du mandrin avant de démarrer la machine.

Les spécifications concernant la taille maximale ou minimale de la pièce doivent être respectées.

Ne retirez pas les copeaux et les éléments de pièce tant que la machine n'est pas mise à l'arrêt.

Ne vous tenez pas sur la machine.

Les travaux de réparation et de connexion sur l'installation électrique doivent être uniquement effectués par un électricien qualifié.

Remplacez immédiatement un cordon d'alimentation usé ou endommagé.

Réalisez tous les réglages de la machine ou la maintenance avec la machine débranchée de la source d'alimentation.



Protégez l'environnement. Mettez l'emballage au rebut en respectant les consignes environnementales.

Votre appareil contient des matériaux précieux pouvant être récupérés ou recyclés. Veuillez les laisser à un institut spécialisé.



Ce symbole indique une collecte séparée des équipements électriques et électroniques conformément à la directive DEEE (2012/19/UE). Cette directive n'est efficace que dans l'Union européenne.

3.3 Autres dangers

D'autres dangers subsistent lors de l'utilisation de la machine conformément aux réglementations.

Le manchon de ponçage en mouvement peut provoquer des blessures.

Risques de rebonds. La pièce est serrée par le manchon de ponçage en mouvement et est renvoyée vers l'opérateur.

Des pièces projetées peuvent causer des blessures.

Le bruit et la poussière du ponçage peuvent altérer la santé. Portez un équipement de protection individuel comme des lunettes de protection et un masque anti-poussière. Utilisez un système d'aspiration des poussières adapté.

Des disques de ponçage défectueux peuvent provoquer des blessures.

L'utilisation d'une source d'alimentation incorrecte ou d'un cordon d'alimentation endommagé peut provoquer des blessures par choc électrique.

3.4 Etiquettes et positions

- A: Avertissement de sécurité
- B: Direction de déplacement de la courroie transporteuse et du cylindre à poncer
- C: Déverrouillez la table avant de régler le parallélisme de la table



Fig. A



Fig. B



Fig. C

4.0 Spécifications

Numéro de modèle	JWDS-2244OSC-M
Numéros de commande:	
Ponceuse avec socle fermé	723544OCSK-M
Socle fermé, seulement.....	(est inclus) 723544CS
Tables d'entrée / sortie pliantes.....	723551 (en option)
Affichage numérique.....	723552 (en option)

Moteur et électrique:

Moteur du cylindre:

Type de moteur	Moteur à induction
Puissance	1.3 kW (1.75CV)
Tension	1~230V, PE, 50Hz
Intensité à pleine charge	9.5 A
Vitesse du moteur	1400 /min
Intensité au démarrage	28 A
Intensité de marche (sans charge)	4.3 A
Condensateur de démarrage.....	300µF 125 VCA
Condensateur de marche	20 µF 300 VCA

Moteur du convoyeur:

Type de moteur	Moteur CC totalement fermé
Puissance	40 W
Vitesse du moteur	54 /min

Moteur du convoyeur:

Type de moteur	Moteur CC totalement fermé
Puissance	40 W
Vitesse du moteur	120 /min

Interrupteur d'activation/de désactivation	Commutateur magnétique
Cordon électrique.....	H05RR-F, 3x1.5mm ² , 1830 mm
Fusible et circuit recommandés/calibre du disjoncteur ¹	16 A

Emission sonore ² (en ralenti / en marche)	68dB / 70 dB
Niveau de pression acoustique LpA (EN ISO 11202)	

Capacités:

Largeur maximum de la plaque, un seul passage	560 mm
Largeur maximum de la plaque, deux passages	1120 mm
Épaisseur maximum de la plaque.....	102 mm
Longueur minimum de la plaque.....	60 mm
Épaisseur minimum de la plaque ³	0,8 mm

Matériaux:

Socle fermé.....	Acier
Cylindre	Aluminium extrudé
Rallonges de table (en option)	Acier
Table du convoyeur	Acier
Poignée de réglage de hauteur du cylindre.....	Aluminium et plastique

Cylindre à poncer:

Dimensions du cylindre	dia. 127 x 584 mm
Vitesse du cylindre	1400 /min
Fréquence d'oscillation	variable entre 0 -120 /min
Course d'oscillation	19 mm
Papier à poncer installé.....	grain 80
Élévation du cylindre par rotation de la roue à main	1.6 mm

¹ Soumis aux codes de l'électricité nationaux et locaux.

² Les valeurs spécifiées sont des niveaux d'émission et ne doivent pas nécessairement être vues comme des niveaux de fonctionnement de sécurité. Comme les conditions de l'environnement de travail varient, cette information permet à l'utilisateur d'avoir une meilleure estimation des risques et des dangers que cela implique (EN ISO 11202).

³ L'utilisation d'un support ou de plaques d'appui (non fournie) est recommandée pour des coupes max de 1,5 mm. Voir le chapitre 9.3.

Convoyeur:

Vitesse du convoyeur	variable entre 0 - 3 m/min
Dimensions de la table du convoyeur	660 x 552 mm
Hauteur du convoyeur au sol	857 mm

Collecte de poussière:

Diamètre extérieur du port de poussière.....	100 mm
Volume d'extraction minimum requis.....	560 m ³ /h

Dimensions:

Boîte d'expédition, machine de base	1320 x 700 x 718 mm
Boîte d'expédition, support ouvert	1030 x 508 x 770 mm
Dimensions complètement assemblé (LxlxH)	1200 x 610 x 1320 mm

Poids:

Poids net.....	98 kg
Poids d'expédition	131 kg

Les spécifications de ce manuel entrent en vigueur au moment de la publication, mais en raison de notre politique d'amélioration continue, JET se réserve le droit de modifier les spécifications à tout moment et sans préavis, sans aucune obligation de sa part.

5.0 Caractéristiques et terminologie

L'illustration ci-dessous montre les composants principaux et les caractéristiques de la ponçeuse JWDS-2244OSC-M. Ceux-ci sont référencés dans tout le manuel et vous aideront à vous familiariser avec les fonctions et opération de la machine.

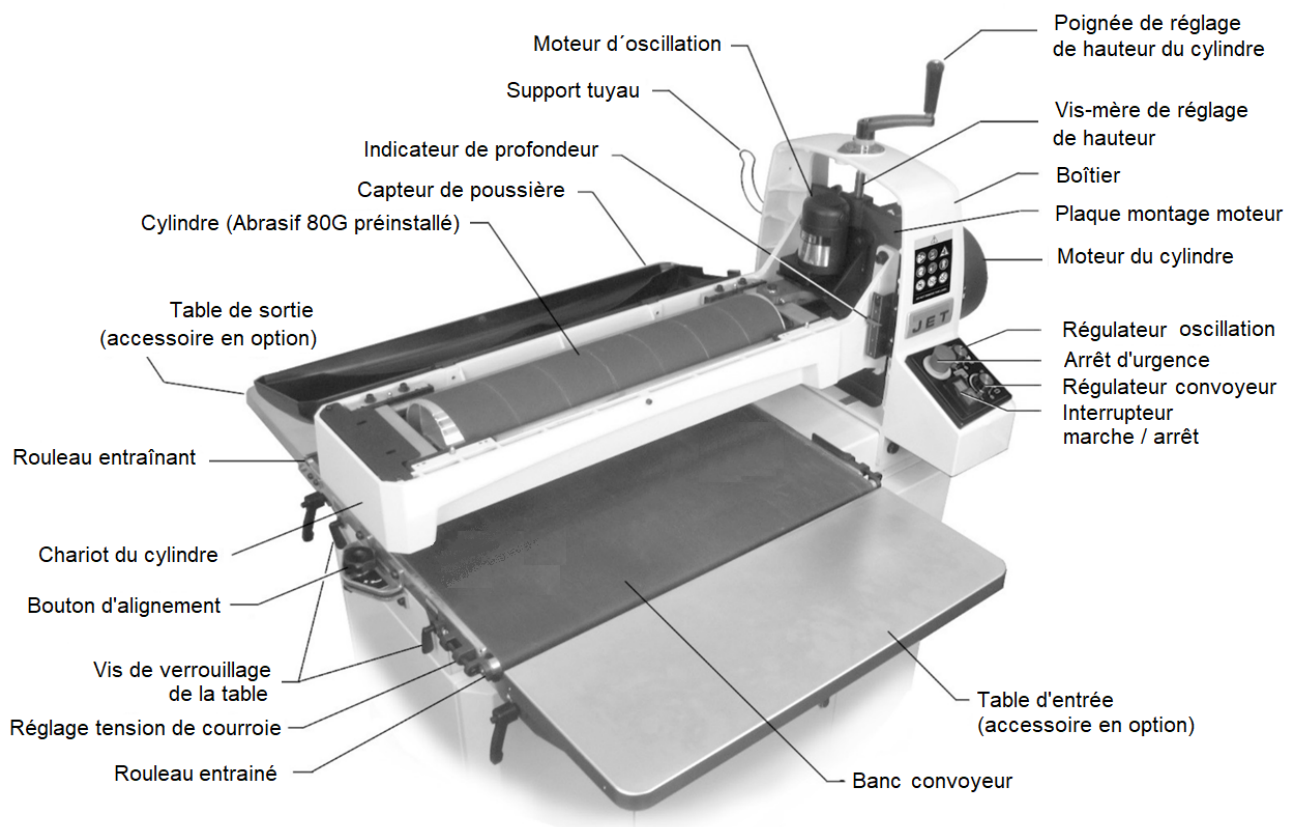


Figure 5-1 : Caractéristiques et terminologie

ATTENTION

Lisez attentivement et comprenez tout le manuel d'instructions avant l'installation ou le fonctionnement. Le non-respect de cette consigne peut provoquer des blessures graves.

REMARQUE: Les figures de ce manuel peuvent montrer la ponceuse avec des accessoires optionnels. Selon votre modèle, ils peuvent être achetés séparément.

6.0 Réglage et montage

Ouvrez les boîtes et contrôlez si présence de dommages provoqués pendant l'expédition. Signalez immédiatement tout dommage à votre distributeur et agent d'expédition. Ne jetez pas le matériel d'expédition tant que la ponceuse à cylindre n'est pas assemblée et qu'elle fonctionne correctement.

Comparez les contenus de vos boîtes avec la liste de pièces suivante pour vous assurer que toutes les pièces sont intactes. Signalez toute pièce manquante à votre distributeur. Lisez attentivement les instructions de montage, d'entretien et de sécurité fournies dans ce manuel d'instructions.

6.1 Contenu d'expédition

Boîte n° 1: (Voir la Figure 6-1)

- 1 Ponceuse avec table du convoyeur (A)
- 1 Poignée (B)
- 1 Support tuyau (C)
- 2 Vis à tête creuse M6x12 (C1)
- 2 Rondelles plates 6mm (C2)
- 1 Manuel d'instructions (non montré)
- 1 Liste des pièces de rechange (non montré)

Boîte n° 2: Tables d'entrée / sortie
(en option, voir la Figure 6-2)

- 2 Tables d'entrée / sortie (D)
- 1 Support arrière (court) (E)
- 1 Support avant (long) (F)
- 2 Supports de table pliants (G, H)
- 1 Matériel de montage:
 - 4 Poignées de verrouillage (HP1)
 - 4 Rondelles plates (HP2)
 - 4 Rondelles en bronze (HP3)
 - 16 Vis à tête creuse M8x16 (HP4)
 - 16 Rondelles plates M8 (HP5)
 - 4 Vis à tête creuse M6x20 (HP6)
 - 4 Rondelles plates M6 (HP7)
 - 4 Came excentrique (HP8)

6.2 Outils nécessaires au montage

Clés hexagonales de 5 mm et de 6 mm

Règle (par exemple une barre en acier droite ou une plaque droite)



Figure 6-1: Ponceuse

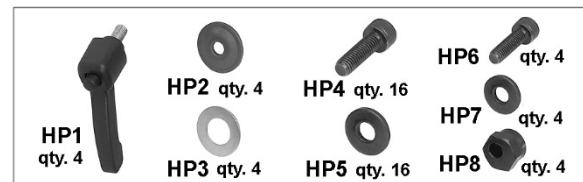
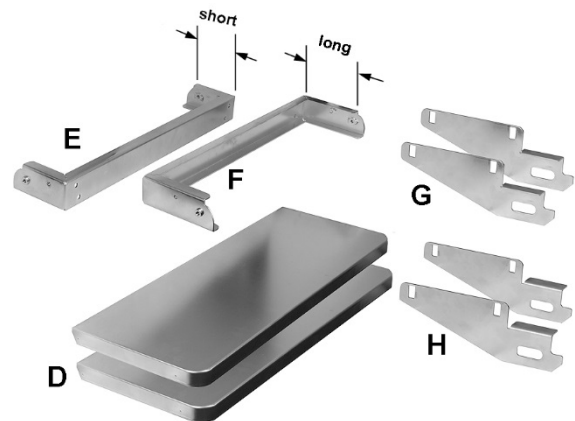


Figure 6-2: Tables d'entrée / sortie (en option)

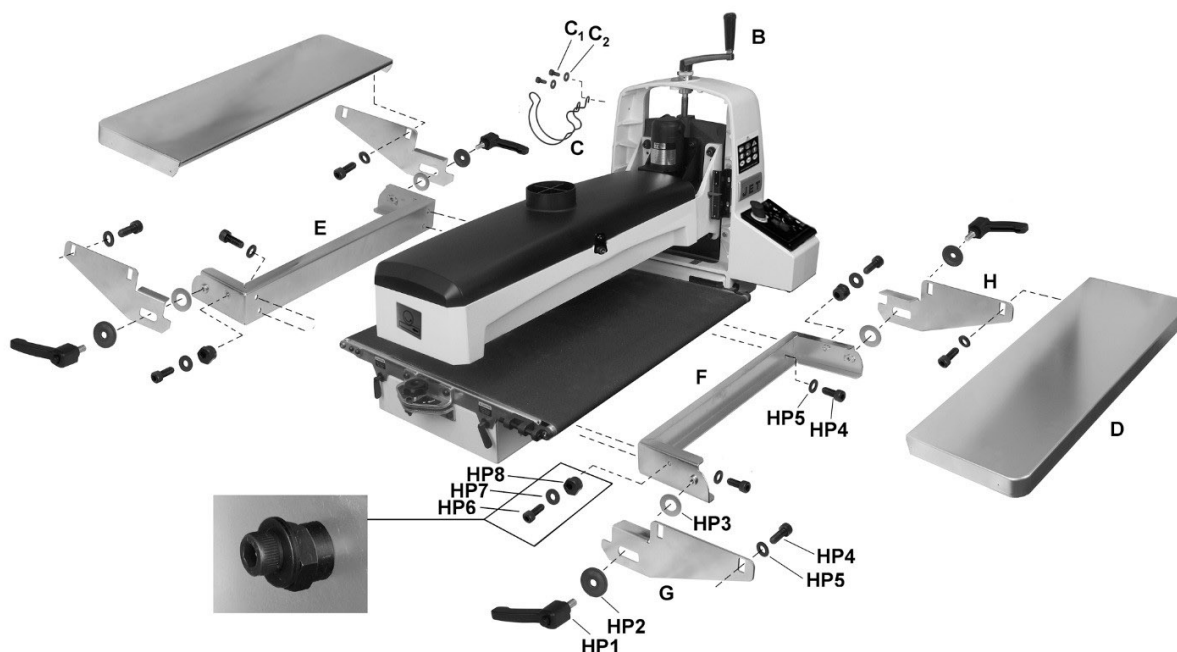


Figure 6-3: Montage ponceuse avec tables d'entrée / sortie (en option)

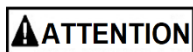
6.3 Montage du support

Un socle fermé est fourni en standard avec la ponceuse JWDS-2244OSC-M. Reportez-vous aux instructions de montage fournies avec le support.

6.4 Montage de la ponceuse sur le support

Le socle fermé peut être orienté avec la porte vers l'avant ou vers l'arrière de la machine.

1. Soulevez la tête du cylindre de la boîte et reposez-la temporairement dans le sens de la largeur sur le haut du support.



Levez la ponceuse avec une autre personne !

2. Fixez la base au support (par le dessous) avec les vis et les rondelles fournies. Serrer les vis fermement.

6.5 Poignée et support tuyau

1. Installez la poignée de réglage de hauteur (B, Fig 6-3) et serrez la vis de réglage.
2. Soulevez le cylindre et retirez le bloc d'expédition entre le cylindre et le convoyeur.
3. Installez le support tuyau (C) avec les vis et les rondelles (C1 / C2).

6.6 Tables d'entrée et de sortie (accessoire en option)

La ponceuse doit être boulonnée sur le support ou une table de travail lorsque vous utilisez ces extensions de table.

La charge maximale de travail pour chaque table est de 16 kg.

1. Installez les supports d'entrée et de sortie (L, Figure 6-3) sur les trous filetés dans la base de la ponceuse avec des rondelles plates et des vis à tête à six pans creux (HP4/5). Veillez à ce que les supports droit et gauche soient orientés comme montré. Les supports doivent s'appuyer sur la base.

REMARQUE : Les supports longs sont à l'avant (entrée); les supports courts à l'arrière (sortie).

2. Serrer les vis (HP4)
3. Installez la came excentrique (HP8) avec la vis et la rondelle r (HP6/7). Serrez uniquement à la main.
4. Installez les supports de table (G, H) à l'aide des poignées et des rondelles (HP1 / 2/3).
5. Placez les extensions de tables sur les supports et fixez avec les rondelles et les vis à tête à six

pans creux (HP4/5). Serrez *uniquement* à la main.

6. Positionnez les tables légèrement en dessous de la surface de la courroie transporteuse pour un support adéquat du matériau à poncer. Pour vérifier la position, placez une règle sur un côté de la table du convoyeur en dessous du cylindre tout en la faisant empiéter sur la table d'extension. Abaissez le cylindre pour maintenir fermement en place la règle. Voir la figure 6-4. Montez la table d'entrée/de sortie jusqu'à ce que la surface de table soit légèrement en dessous de la surface de la courroie transporteuse. Serrez les vis de chaque côté.
7. Positionnez la règle de l'autre côté de la table et répétez.
8. Desserrez la vis (HP6) et tourner la came excentrique (HP8) jusqu'à ce qu'elle touche le bord du support de la table. Faites ceci des deux côtés de la table. Cela garantit que les extensions de tables reste au même niveau que la table de convoyage. Serrer les vis (HP6).

Si le matériau poncé est arqué, déformé ou autre, assurez-vous que les tables ne soient pas inférieures au haut de la table du convoyeur.

Si le matériau glisse du convoyeur, les tables sont positionnées trop haut. Abaissez les tables pour permettre au matériau de rester en contact avec le convoyeur.

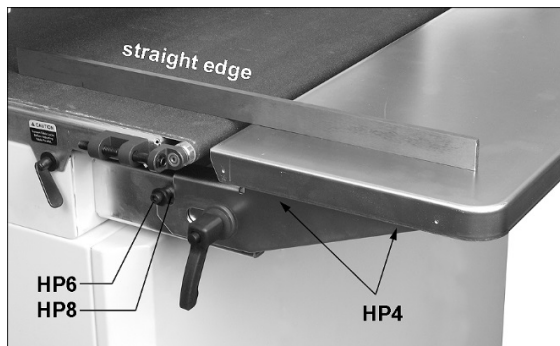


Figure 6-4: Alignement des extensions de table

6.7 Collecte des poussières

La collecte de poussière est obligatoire pour un environnement de travail sécuritaire et une durée de vie prolongée de l'abrasif. La ponceuse est équipée d'un port de collecte de poussière de 100 mm. Fixez le tuyau de poussière de 100 mm au port avec un collier de serrage (Figure 6-5) et raccordez un collecteur de poussière (minimum 560 m³/h).

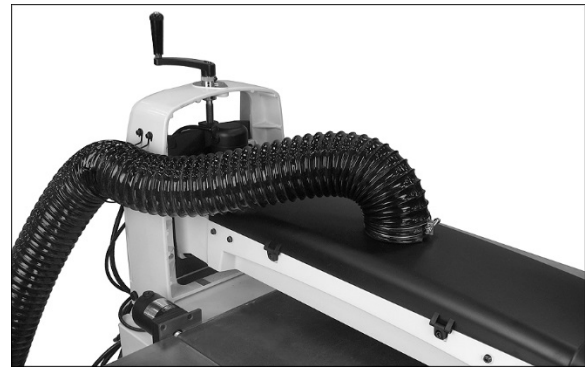


Figure 6-5 (tuyau et collier non compris)

6.8 Installation des abrasifs

Une fixation appropriée de la bande abrasive au cylindre est essentielle pour obtenir les meilleurs rendements de votre ponceuse à cylindre.

Une bande abrasive de 76 mm et de 80 grain est prémontré sur le cylindre.

(TIP: Si vous utilisez un abrasif du marché des pièces détachées, utilisez un nouvel abrasif JET comme modèle pour couper rapidement une nouvelle bande.

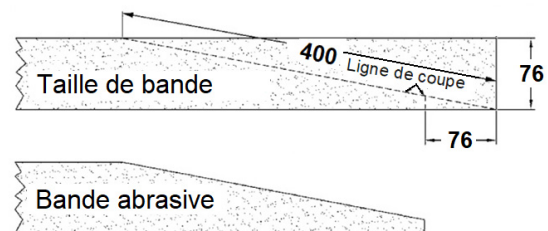


Figure 6-6: Taille de bande abrasive

Installation d'abrasif :

1. Appuyez le levier de fixation (Figure 6-7) sur l'extrémité extérieur (gauche) du cylindre et insérez l'extrémité de l'abrasif à travers la fente de la fixation. Insérez environ 75 mm de la bande abrasive dans la fixation. Alignez le bord biseauté de la bande abrasive sur le bord gauche du cylindre.

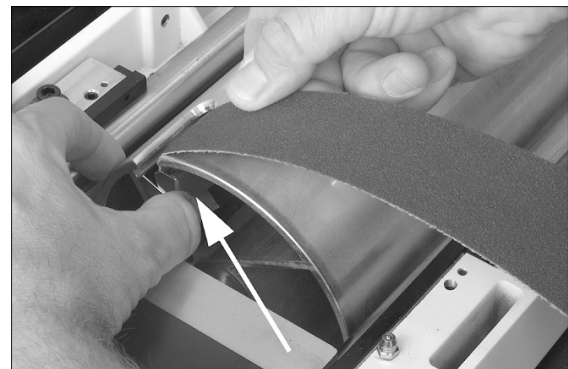


Figure 6-7

2. Relâchez le levier de fixation pour fixer l'extrémité de la bande.

3. Commencez à enrouler l'abrasif autour du cylindre. Le bord biseauté de l'extrémité de bande doit rester le plus près possible du bord du cylindre.
4. Continuez à enrouler l'abrasif en spirale en tournant le cylindre avec une main et en guidant la bande avec l'autre. Voir la Figure 6-8.

Les enroulements successifs de bande *ne doivent pas se chevaucher*. Ils doivent être au même niveau que l'enroulement précédent ou avoir un léger jeu entre eux.

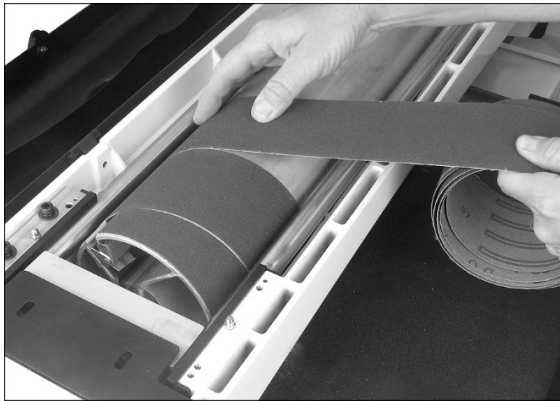


Figure 6-8

5. Pressez le releveur interne (Figure 6-9) et insérez l'extrémité arrière de la bande aussi loin que possible. Si nécessaire, taillez l'extrémité effilée de la bande abrasive.
6. Relâchez le releveur pour fixer la bande.

Toutes les bandes abrasives s'étirent avec le temps lorsqu'elles sont usées et peuvent s'étirer assez pour faire en sorte que le releveur atteigne sa position la plus basse et qu'il ne puisse plus maintenir la bande sous tension. Si cela se produit, suivez les procédures ci-dessus pour réajuster le releveur.

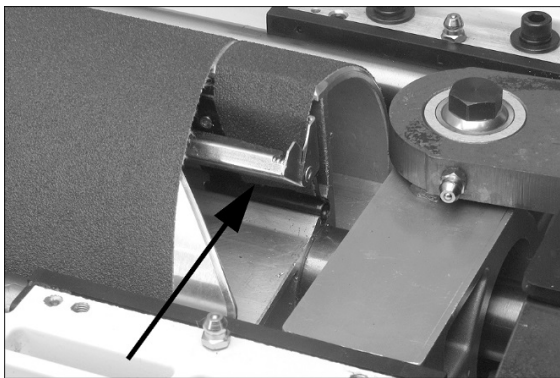


Figure 6-9

7.0 Connexions électriques

ATTENTION Toutes les connexions électriques doivent être effectués par un électricien qualifié conformément aux ordonnances et codes locaux. Le non-respect de cette obligation peut causer de graves blessures.

La ponceuse a une voltage de 230 V. La ponceuse est livrée avec une prise conçue pour être branchée à une *prise de terre*

Il est recommandé que la ponceuse soit raccordée à un circuit dédié de 16 AMP avec un disjoncteur ou fusible. Si elle est raccordée à un circuit protégé par des fusibles, utilisez un fusible temporisé marqué "T".

Les codes locaux prévalent sur les recommandations.

8.0 Réglages

ATTENTION Débranchez la ponceuse de sa source d'alimentation avant de réaliser les réglages.

8.1 Contrôle de la hauteur du cylindre

La hauteur de la profondeur du cylindre de coupe sont contrôlés par la poignée de réglage de hauteur (voir Figure 5-1). En tournant la poignée en sens horaire, le cylindre s'abaisse et il monte en sens inverse horaire. Un tour de manivelle fait bouger le cylindre d'environ 1,6 mm (ou 1/4 de tour = env. 0,4 mm), comme montré sur l'étiquette en dessous de la poignée.

8.2 Echelle de profondeur

L'échelle de profondeur indique la distance entre le bas du rouleau à poncer et le haut de la courroie transporteuse. Le réglage est effectué en mettant à zéro l'échelle.

1. Débranchez la ponceuse de la source d'alimentation !
2. Avec une bande abrasive sur le cylindre, abaissez le cylindre là où il touche le haut de la courroie transporteuse.
3. A cette position de cylindre, l'aiguille de l'échelle de profondeur doit être alignée sur le zéro de l'échelle. Si ce n'est pas le cas, desserrez deux vis et montez ou descendez l'échelle jusqu'à ce que l'aiguille soit alignée sur le zéro.
4. Resserrez les vis.

Remarque : Selon la précision souhaitée, vous devez répéter ce processus lors de l'installation de différents grains abrasifs.

8.3 Tables d'entrée / sortie pliantes (en option)

Les tables (en option) peuvent être basculées pour permettre un accès plus facile à l'abrasif ou à d'autres réglages.

Desserrez les poignées de chaque côté, faites glisser la table loin de la machine puis vers le bas. Voir la figure 8-2.

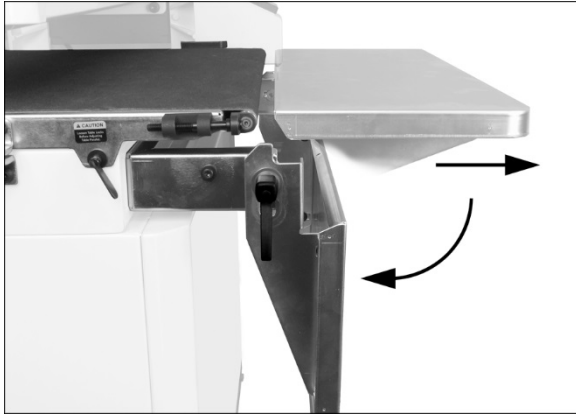


Figure 8-2

8.4 Alignement/tension de la courroie transporteuse

Le réglage de la tension de la courroie transporteur peut être nécessaire pendant le rodage pour compenser l'allongement de la courroie.

8.4.1 Réglage de la tension de courroie

1. Débranchez la ponceuse de la source d'alimentation !
2. Ajustez les vis de tension (Figure 8-3) avec une clé hexagonale de 5 mm. Faites-les des deux côtés du convoyeur pour obtenir une tension approximative égale des deux côtés de la courroie abrasive lorsqu'elle est tendue.

REMARQUE : Une tension de courroie transporteuse insuffisante peut provoquer un glissement de la courroie du rouleau entraînant pendant le ponçage. La courroie transporteuse est trop lâche si elle peut être stoppée par une pression de la main appliquée directement en haut du mouvement de la courroie. Une tension excessive peut se produire du fait de rouleaux déformés, de supports déformés et/ou d'une usure prématurée des bagues ou de la courroie.



Figure 8-2: Réglage tension de courroie

8.4.2 Réglage de l'alignement

Une courroie transporteuse est bien alignée lorsqu'elle se déplace au centre des rouleaux du convoyeur sans dériver entre les deux côtés. Les réglages de

l'alignement sont effectués avec la courroie en marche.

1. Débranchez la ponceuse de la source d'alimentation !
2. Assurez-vous d'avoir la bonne tension de courroie (voir chap. 8.4.1).
3. Activez le convoyeur et réglez sur la vitesse maximale. Regardez si la courroie n'a pas tendance à dériver d'un côté du convoyeur. Si elle dérive, serrez ou desserrez la vis de tension.

Remarque : Tournez la vis de tension d'1/4 de tour seulement à ce moment. Laissez à la courroie un temps de réaction au réglage avant de continuer.

Essayez d'éviter le sur-réglage, car cela peut affecter la tension de la courroie. Si la tension en est touchée, il faudra utiliser les deux vis de tension pour effectuer l'alignement et la tension.

8.4.3 Aligneurs (Trackers)

La ponceuse est livrée avec des "Aligneurs", des guides en céramique qui réduisent la valeur de correction nécessaire pour garder la courroie transporteuse alignée (centrée) sur la table du convoyeur. Ces guides ont un support magnétique qui les maintiennent en place. Si un aligneur est trop usé, vous pouvez utiliser l'autre côté en le retournant. Voir chap. 11.0 Kit d'aligneur pour plus d'information sur le réglage des aligneurs.

8.5 Vérification de l'alignement du cylindre

Le cylindre à poncer doit être parallèle à la table du convoyeur pour un fonctionnement correct de la machine. Le cylindre à poncer est livré préaligné par le fabricant. Si un problème d'alignement du cylindre se produit, suivez les instructions ci-dessous.

Vérifiez d'abord l'alignement avec une jauge quelconque. La procédure suivante utilise une règle en acier comme jauge.

1. Débranchez la ponceuse de la source d'alimentation !
2. Ouvrez le couvercle antipoussière et enlevez la bande abrasive du cylindre.
3. Insérez la jauge entre le cylindre et la table du convoyeur du côté externe du cylindre (A, Figure 8-4).

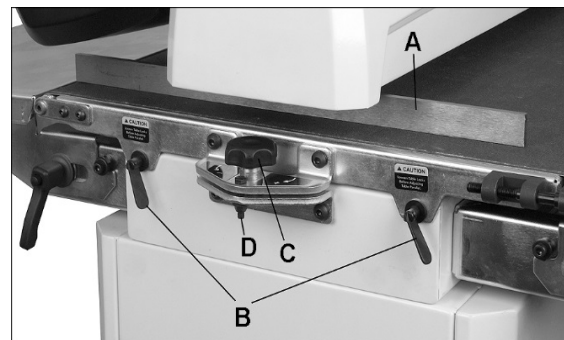


Figure 8-4: Alignement du cylindre

4. Avec le couvercle antipoussière ouvert, abaissez le cylindre à poncer tout en le tournant lentement à la main jusqu'à ce qu'il touche légèrement la jauge.

REMARQUE : Vérifiez que le cylindre touche la jauge, pas seulement les rouleaux de tension.

5. Enlevez la jauge et placez-la en dessous du cylindre côté interne.
6. Si le cylindre ne touche pas la jauge de manière égale des deux côtés du cylindre, un alignement est nécessaire.

Pour aligner la table du convoyeur avec le cylindre :

7. Desserrez les deux vis de verrouillage de la table (B)

ATTENTION

Desserrez les deux blocages de table avant d'effectuer l'alignement du cylindre.

8. Tournez le bouton (C) pour monter ou descendre l'extrémité externe de la table. Suivez les repères de direction sur l'étiquette (+ fait monter, - fait descendre).
9. Resserrez les vis de verrouillage de la table (B).

8.5.1 Alignement de précision du cylindre

Remarque : Ceci est un test opérationnel pour les plaques de ponçage plus large que le cylindre. N'effectuez cette procédure que lorsque vous vous êtes familiarisé avec le fonctionnement de la ponceuse.

Lorsque les plaques de ponçage sont plus larges que le cylindre, l'alignement de table est indispensable et la table doit être ajustée exactement au niveau légèrement en dessous de l'extrémité externe. Ceci empêchera la formation de bavures sur le matériau. Vérifiez toujours ceci sur un morceau de bois, comme suit, avant de poncer une pièce à usiner.

1. Avancez le morceau de poids d'une largeur de 150 mm, d'épaisseur de 700 mm et de longueur de 1000 mm par la ponceuse de côté de sorte que l'extrémité de la plaque s'étendent au-delà du côté externe du cylindre.
2. Sans changez la hauteur du cylindre, tournez la plaque de 180° et ponchez le même côté.
3. Si une bavure est visible là où le cylindre chevauche, desserrer les deux vis de verrouillage de la table (B, Figure 8-4) et abaissez légèrement la table sur l'extrémité externe en tournant le bouton (C).
4. Répétez ce processus jusqu'à élimination des bavures et que toute la plaque soit poncée.

Remarque : Pour un matériau à poncer réduit (inférieur à 560 mm), retournez la table du convoyeur en position parallèle. Tournez le bouton en direction opposée jusqu'à ce que le contre-écrou (D) soit touché. Le contre-écrou fait butée pour le parallélisme de la table.

8.6 Réglage du rouleau de tension

Les rouleaux d'entrée et de sortie sont tendus pour fournir une pression à la baisse sur la pièce à usiner pour éviter un glissement sur le convoyeur

d'alimentation. Les rouleaux de tension ont été réglés par le fabricant, mais ils doivent être vérifiés et peuvent nécessiter un réglage à la réception de la ponceuse.

ATTENTION

Des rouleaux de tension mal réglés (p.ex. trop tendus, les rendant non fonctionnels) peuvent faire rebondir les pièces en train d'être poncées.

Vous pouvez augmenter ou diminuer la pression de tension du rouleau du côté extérieur en insérant le tournevis dans les trous de la plaque (Figure 8-5) et en tournant les vis sur les supports du rouleau. La plaque peut être retirée pour un accès plus facile. Les vis sur le côté intérieur du cylindre peuvent être ajustées de la même manière.

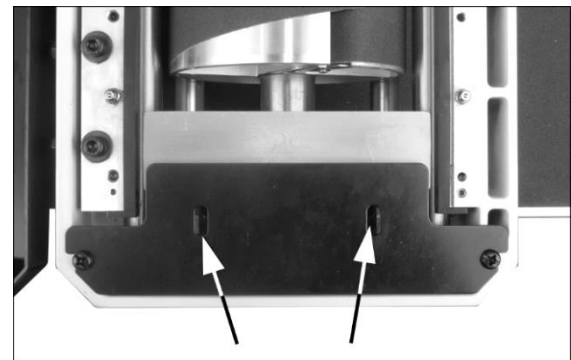


Figure 8-5: vis de réglage de tension

Une pression de tension du rouleau trop élevée peut provoquer une rainure, qui est une ligne visible sur toute la largeur de la plaque et qui se trouve à environ 60 mm de l'extrémité de la plaque.

Si la rainure apparaît sur l'extrémité avant de la plaque, ajustez la tension du rouleau de sortie. Si la rainure apparaît sur l'extrémité arrière de la plaque, ajustez la tension du rouleau d'entrée.

9.0 Fonctionnements

Avant d'utiliser votre ponceuse à cylindre, relisez les parties précédentes concernant la configuration initiale et le réglage. Avant d'utiliser, assurez-vous qu'une bande abrasive est installée et que le bon système de collecte de poussière est raccordé.

9.1 Fonctionnement du moteur de courroie et du cylindre

1. Connectez l'alimentation à la machine.
2. Déverrouillez l'arrêt d'urgence (A, Figure 9-1) en tournant le bouton rouge dans le sens des aiguilles d'une montre ou en le tirant vers le haut.

Remarque : La lampe d'erreur (D) peut clignoter en continu, pour rappeler que le convoyeur n'est pas éteint.

Le système de contrôle est conçu pour éviter toute activation accidentelle de la convoyeur.
Si la convoyeur ne fonctionne pas, tournez le bouton (C) sur « O » et recomposez.

3. Activez l'interrupteur marche/arrêt (B) pour démarrer le moteur du cylindre.
4. Tournez en sens horaire le bouton de vitesse du convoyeur (C) pour démarrer et augmenter la vitesse du convoyeur.

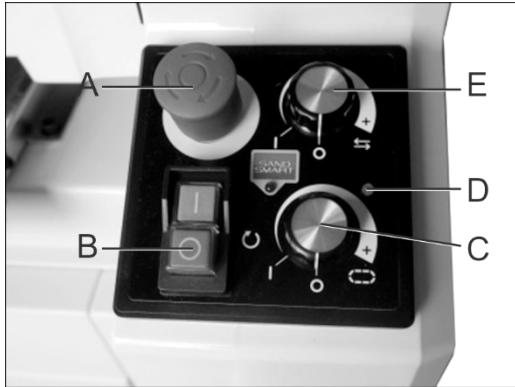


Figure 9-1: Panneau de commande

9.2 Mode oscillation

La ponceuse peut être utilisée avec ou sans oscillation. Le bouton supérieur (E, Fig. 9-1) active le mode oscillation.

REMARQUE: Si vous passez du mode oscillation au mode fixe, laissez le cylindre se centrer sur le convoyeur avant de désactiver le mode oscillation.

9.3 Procédure de fonctionnement de base

1. Etablissez la profondeur de coupe.
2. Démarrez le système de collecte de poussière.
3. Démarrez le cylindre à poncer.
4. Démarrez l'oscillation et sélectionnez la fréquence.
5. Démarrez le convoyeur et sélectionnez la vitesse d'avance.
6. Alimenter la machine en matériau.

Pour alimenter la ponceuse en matériau, placez and maintenez la plaque à poncer sur la courroie transporteuse, permettant la courroie transporteuse de transporter la plaque dans le cylindre. Une fois le matériau à mi-chemin, repositionnez vous-même le côté externe de la machine et recevoir et contrôler la plaque lorsqu'elle sort.

ATTENTION

La plaque s'abaissera contre la table du convoyeur au début de l'alimentation, entraînant un risque de pincement. Gardez vos doigts éloignés.

ATTENTION

N'ouvrez pas le capot du cylindre tant que le cylindre n'est pas complètement à l'arrêt.

9.4 Réglage de la profondeur de coupe

Un réglage de la ponceuse à cylindre pour un contact correct entre l'abrasif et le matériau détermine la profondeur de coupe. La profondeur de coupe est contrôlée par la poignée de réglage de hauteur.

Il faut faire des expériences pour déterminer une profondeur de coupe correcte, entrer les variables de grains abrasifs, le type de bois et la vitesse d'avance. Pour obtenir les meilleurs résultats, utilisez des bouts de bois pour vous entraîner au ponçage et développer une technique et vous familiariser avec la machine avant d'effectuer le travail final.

Une combinaison de plusieurs variables déterminera la profondeur correcte de coupe à utiliser, incluant ce qui suit :

1. Type d'abrasif et taille du grain.
2. Largeur de pièce à usiner.
3. Dureté de la pièce.
4. Vitesse d'avance de la courroie transporteuse.

REMARQUE : L'utilisation d'un support ou de plaques d'appui (non fournie) est recommandée pour des coupes max de 1,5mm. C'est une plaque plate, habituellement du bois ou MDF, légèrement plus grande que la pièce à usiner et d'épaisseur égale, placées sous la pièce lorsqu'elle est avancée dans la ponceuse. La pièce à usiner peut être fixée au support avec de la colle au caoutchouc, du ruban de charpentier ou quelque chose de facile à décoller. Cependant, certains opérateurs utilisent une surface texturée ou en caoutchouc sur le support pour aider à stabiliser la pièce à usiner par simple friction.

9.5 Détermination de la hauteur du cylindre

Principe de base si ponçage avec grains plus fins que 80 :

1. Pour établir la hauteur du cylindre, positionnez le matériau sous le cylindre. NE démarrez PAS le cylindre.
2. Abaissez le cylindre à l'épaisseur du matériau et assurez-vous que le cylindre peut tourner avec la main lorsque le matériau le touche.

ATTENTION

Ne démarrez pas le cylindre pendant qu'il touche le matériau.

3. Sans modifier la hauteur du cylindre, activez le convoyeur et faites sortir le matériau par le dessous du cylindre. Démarrez le cylindre à poncer et poncez le matériau sur la même position.
4. Avec le cylindre en fonctionnement, alimentez en matériau par le dessous du cylindre depuis le côté entrée et contre la rotation du cylindre. Gardez toujours le contrôle du matériau pour éviter tout rebondissement et/ou glissement.

Pour le ponçage avec un grain plus gros que 80, vous pouvez ralentir légèrement le cylindre.

Gardez toujours le contrôle du matériau. Par la pratique, vous saurez la profondeur de coupe correcte en fonction des variables ci-dessus.

9.6 Sélection des vitesses d'avance SandSmart™

Une vitesse d'avance plus rapide permet un ponçage plus rapide, mais moins de rotations du cylindre par pouce de ponçage. Une vitesse d'avance plus lente donne plus de rotations du cylindre par pouce de ponçage pour permettre une profondeur plus grande de coupe et un ponçage lisse.

Commencez l'expérience avec la vitesse d'avance environ 50% du maximum. La meilleure vitesse d'avance dépend d'un nombre de facteurs, incluant le type de matériau, le grain et la profondeur de coupe utilisée, et si le matériau est avancé directement en ligne ou incliné avec la table du convoyeur. Si le moteur du cylindre a une baisse de surcharge, si la courroie transporteuse a un glissement ou si vous observez une ondulation sur le matériau, ralentissez la vitesse d'avance. Si la finition est lisse et que la machine n'est pas en surcharge, vous pouvez essayer à une vitesse d'avance plus rapide.

Le régulateur SandSmart™ surveille en continue la charge du moteur de cylindre et régule automatiquement la vitesse du moteur de convoyeur pour maintenir à la vitesse d'avance la plus haute sans surcharge.

Lorsque le témoin indicateur rouge (A, Figure 9-2) s'allume, le régulateur SandSmart™ a détecté une profondeur de coupe trop importante et/ou une vitesse d'avance trop rapide.

Si la charge du moteur de cylindre diminue, le régulateur SandSmart™ diminuera la vitesse d'avance du convoyeur et arrêtera le convoyeur sous des conditions extrêmes. Si la charge sur le cylindre diminue, SandSmart™ augmentera la vitesse d'avance mais ne l'augmentera pas au-delà de la vitesse de réglage manuel de l'étiquette.

Le meilleur fini uniforme sera réalisé si le convoyeur ne change pas de vitesse pendant le fonctionnement.



Figure 9-2 Indicateur SandSmart™

Un changement de vitesse du convoyeur peut affecter la surface de finition. Si la finition est affectée, effectuez un autre ponçage sans en changer les réglages. Si la finition est toujours affectée,

effectuez les réglages pour ralentir le convoyeur et/ou diminuer la profondeur de coupe et passez à nouveau le matériau.

Essayez également une vitesse d'avance plus rapide ou une profondeur de coupe moindre si le matériau que vous usinez commence à montrer des traces de brûlure. Pour le cerisier, l'érable dur ou autres bois durs, l'utilisation d'une profondeur moins profonde ou une vitesse d'avance plus rapide peut aider à minimiser les marques de brûlure. Inclinez légèrement le matériau lorsqu'il est avancé dans la machine pour éviter toute brûlure du matériau.

En raison du grand nombre de variables, il est important d'expérimenter aux conditions spécifiques et d'effectuer des réglages pour obtenir la vitesse d'avance optimale. Si des problèmes apparaissent, vérifiez d'abord et réglez la vitesse d'avance en vous reportant au chapitre "Dépannage" de ce manuel.

9.7 Conseils pour une performance maximale

La polyvalence de cette ponceuse à cylindre lui permet d'être utilisée pour des tâches différentes, ce qui boostera votre retour sur investissement. Par exemple, elle accélère les ponçages fins souvent effectués lentement avec des ponceuses portatives qui génèrent de la poussière et vous permet de réaliser des réglages de précision en épaisseur qui ne sont pas possibles sur d'autres ponceuses. Elle peut être utilisée sur des surfaces de bois figurés – moucheture ou érable madré par exemple – qui peuvent être endommagées si avancées par une raboteuse.

Apprenez comment utiliser ces réglages et les commandes vous permettront de régler avec précision la machine pour des résultats maximum. Les meilleurs résultats viennent de l'expérimentation avec différents grains abrasifs et les réglages de la machine pour l'adapter à la tâche à accomplir. Plus bas, une liste de conseils pratiques vous aidera à améliorer les performances de votre ponceuse.

9.7.1 Collecte des poussière

Lors du raccordement des collecteurs de poussière, rappelez-vous que le tuyau droit ne limitera pas le débit d'air autant que le tuyau flexible. Le Y et les coudes limiteront moins le débit d'air que le T. Et, un flexible inférieur à 80 mm de diamètre ne doit pas être utilisé.

9.7.2 Série de plusieurs pièces à poncer

Lors d'un rabotage d'une série de pièces similaires dont vous souhaitez avoir la même épaisseur, il vaut mieux déterminer l'épaisseur de la pièce la plus fine et d'usiner toutes les pièces qui ont la même épaisseur en une session. Soyez conscient que la ponceuse poncera le profil voilé et le profil bombé de la pièce ; prenez en compte cela lors de la prise de mesure et du traitement du matériau de la même épaisseur.

9.7.3 Plusieurs pièces en simultanée

Lorsque vous ponchez plusieurs pièces en même temps, veillez à décaler les pièces sur la largeur de la courroie transporteuse. Cela

apporte de meilleurs contacts avec les rouleaux de tension. N'essayez d'usiner que plusieurs pièces d'épaisseur similaire.

S'il y a une erreur d'épaisseur significative, les pièces les plus fines peuvent glisser de la courroie transporteuse si elles ne sont pas en contact avec les rouleaux de tension. Aussi, remarquez que les pièces plus épaisses de 20 mm doivent être plus longues que le minimum normalement recommandé pour éviter un basculement du matériau.

9.7.4 Ponçage de bord

En ponçage de bord, la ponceuse reproduira le bord opposé du matériau qui est couché sur la courroie transporteuse. De ce fait, il est important que le bord du matériau soit scié au bon angle de face avant de poncer. Si le bord du matériau à poncer, qui est inférieur à 20 mm de large ou supérieur à 50 mm de haut, il est bon d'empiler et de fixer plusieurs pièces ensemble pour éviter qu'elles ne glissent ou basculent de la courroie transporteuse.

9.7.5 Ponçage imparfait du matériau

Si ponçage du matériau avec un profil voilé ou bombé, placez en haut le profil bombé. Cela stabilisera le matériau pour empêcher un basculement ou renversement pendant le ponçage. Une fois le profil bombé supprimé et que le haut est plat, retournez le matériau et poncez le côté opposé. Pour éviter des blessures, faites attention lors du ponçage de bout en bout de matériau tordu, fléchi ou autre dans l'épaisseur. Si possible, soutenez ces matériaux lorsqu'ils sont poncés pour éviter qu'ils ne glissent ou basculent. Utilisez des supports de rouleau supplémentaires, demandez l'aide d'une autre personne ou appuyez avec la main sur le matériau pour minimiser les situations potentiellement dangereuses.

9.7.6 Portes à panneaux en relief et cadres de face

Il est très important d'avoir un contact correct avec l'abrasif lorsque vous effectuez ce type de ponçage. Si la machine est réglée pour effectuer une profondeur de coupe excessive, le résultat peut être un sillon ou un creux car le cylindre à poncer va de la pleine largeur des rails à une largeur plus petite sur les montants de cadre. Pour éviter cela, veillez à ce que l'abrasif soit plus fin que 80 grains, que le cylindre soit en contact avec le bois et qu'il puisse encore être tourné manuellement. S'il y a assez de place, le fait d'incliner le matériau sur la courroie transporteuse peut également aider. Le fait d'avancer lentement le convoyeur lorsqu'il va sur un rail du matériau peut aider à empêcher les sillons ou creux. Cela permet à l'abrasif de poncer une largeur plus grande avec moins d'efforts et d'obtenir une meilleure uniformité de la surface finie.

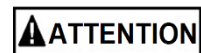
9.7.7 Angle d'avance du matériau

Certaines pièces, de par leurs dimensions, doivent être placées dans la machine à un angle de 90° (perpendiculairement au cylindre). Cependant, même un léger angle de décalage du matériau pourra permettre une dépose de matériau plus efficace. L'angle d'entrée optimal pour la dépose du matériau est de 60° environ.

Le fait d'incliner la pièce à usiner pour la dépose du matériau donne d'autres avantages, tels qu'une charge moindre de certaines zones du cylindre due aux lignes de

colle ou aux stries minérales dans le matériau, une usure plus régulière des bandes abrasives, des vitesses d'avance potentiellement plus rapides et des charges moindres sur le moteur. Notez cependant que pour obtenir la meilleure finition, le matériau doit être avancé à travers la machine et il sera poncé en ligne avec le grain du bois à la fin de une ou deux passes.

10.0 Entretien par l'utilisateur



ATTENTION Avant d'effectuer l'entretien de la machine, débranchez-la de l'alimentation électrique (enlevez la prise), sauf mention contraire. Le non-respect de cette obligation peut causer de graves blessures.

10.1 Nettoyage et lubrification

Pour de meilleurs résultats, nettoyez régulièrement la ponceuse. La surabondance de poussière et de débris peut affecter négativement la performance par le chargement des abrasifs, le glissement sur la table du convoyeur et/ou l'accumulation de matériau à l'intérieur des cylindres pouvant déséquilibrer la machine.

REMARQUE : Les roulements sont prélubrifiés et ne requièrent pas de lubrification.

- Brossez également la band convoyeur après les opérations de nettoyage. Si elle n'est pas nettoyée, la band convoyeur peut faire glisser le matériau pendant le ponçage.
- Lubrifiez les bagues du convoyeur si nécessaire et vérifiez si usure.
- Lubrifiez la vis-mère (A, Figure 10-1) si nécessaire.
- Enlevez la sciure de la bande abrasive et brossez la poussière de la courroie transporteuse.
- Gardez les zones de glissement propres (B, Figure 10-1).
- Dépoussiérez les moteurs et interrupteurs. Dépoussiérez l'intérieur du cylindre à poncer, car cela peut provoquer des vibrations ou un décalage du centre d'équilibre. (Laissez le collecteur de poussière activé lors du dépoussiérage des cylindres).
- Vérifiez si toutes les vis de réglage des paliers, table du convoyeur et accouplements sont bien serrées.

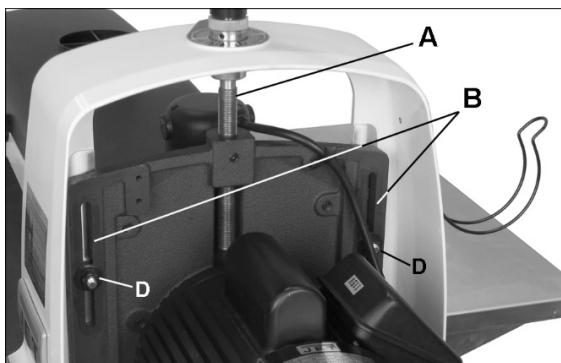


Figure 10-1 Lubrification

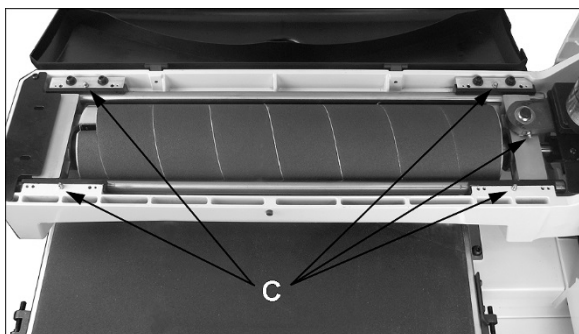


Figure 10-2: Lubrification

10.2 Réglage du guide vertical

Si le mécanisme de réglage de la hauteur ne fonctionne pas facilement ou si le porte-cylindre se déplace trop ou se plie, réajuster le guide vertical. Serrez les 4 écrous autobloquants (D, Fig. 10-1) et desserrez-les ensuite de 1/8 à 1/4 de tour. Si les écrous sont trop serrés, la manivelle d'élévation sera difficile à déplacer. Si les écrous sont trop lâches, cela entraînera une déviation excessive du porte-cylindre.

10.3 Remplacement de la courroie transporteuse

1. Débranchez la ponceuse de l'alimentation.
2. Soulevez le cylindre à sa plus haute position.
3. Enlever les extensions de table si elles sont installées.
4. Tournez les vis de tension (Figure 8-3) des deux côtés du convoyeur pour relâcher la tension de la bande et faites glisser complètement vers l'intérieur le rouleau entraîné.
5. Enlevez les deux (2) vis fixant la table du convoyeur à la base.
6. Enlevez les deux (2) vis fixant la table du convoyeur au support d'alignement du cylindre (E, Figure 10-3).
7. Desserrez les deux blocages (F, Figure 10-3).
8. Soulevez la table du convoyeur et enlevez-la de la machine. Évitez de déchirer la bande à n'importe quel bord sous la table du convoyeur. *Ne laissez pas tomber les aligneurs car ils peuvent se casser.*
9. Réglez le convoyeur côté moteur et glissez la bande transporteuse à l'extrémité de la table du convoyeur.

10. Installez une nouvelle bande le long des aligneurs (voir chap. 11.0) et réinstallez la table du convoyeur. Tendez et alignez la nouvelle bande transporteuse.

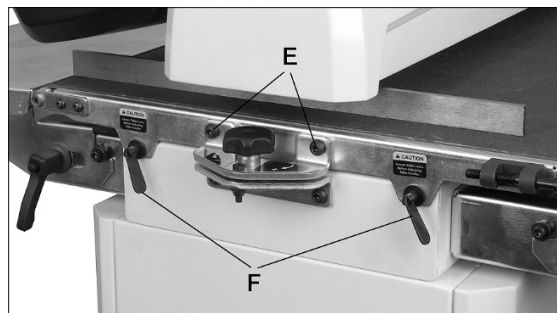


Figure 10-3

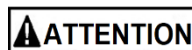
Remarque : Si la bande transporteuse se déplace d'un côté de la machine, inversez la bande sur la table du convoyeur pour remédier à ce problème. Pour vous assurer que la table du convoyeur n'est pas tordue, placez un niveau sur la table du convoyeur. Mettez la machine à niveau si nécessaire. Si le problème persiste, procédez avec les étapes ci-dessous :

Étape 1: Vérifiez le rouleau entraînant et le rouleau entraîné du convoyeur pour vous assurer qu'ils sont parallèles à la surface de la table du convoyeur. Pour effectuer cela, centrez d'abord la bande transporteuse sur la table du convoyeur. Puis, posez une règle sur le bord exposé de la table du convoyeur à gauche (à l'extérieur), en l'étendant sur le rouleau. Notez la distance entre le rouleau et la règle.

Étape 2: Répétez maintenant l'étape 1 pour le côté droit du convoyeur (à l'intérieur). Comparez les mesures d'un côté à l'autre. Si elles sont inégales, desserrez l'un des supports maintenant le rouleau en place. Inclinez ce support jusqu'à ce que la distance entre le rouleau et la règle soit égale d'un côté à l'autre, puis serrez le support.

10.4 Inspection du balais de collecteur

Pour conserver l'efficacité du moteur, vérifiez les deux balais de carbone tous les deux mois ou plus fréquemment si la ponceuse est utilisée de manière intensive. Le calage ou la perte d'alimentation peuvent être des symptômes de balais de carbone usés. Si un balai est usé, remplacez les deux balais en même temps.



Une utilisation continue de balais usés ou endommagés peut entraîner des dommages sur l'armature du moteur.

1. Débranchez la scie de la source d'alimentation.
2. Dévissez et enlevez le capuchon avec un tournevis à lame plate. Voir la Figure 10-4.
3. Soulevez doucement un bord du clip en laiton jusqu'à ce que le ressort le dégage du trou. (Notez l'orientation du balai lors de sa dépose ; il devra être inséré de la même manière ; la

courbure du balai doit correspondre avec celle du moteur.)

4. Retirez le balai et contrôlez. Le balai doit être remplacé en cas de découverte de l'un des éléments suivants :
 - Le balai est usé sur plus de 13 mm de long environ.
 - Signes d'effritement, de brûlures ou de rupture.
 - L'extrémité du balai est rugueuse ou piquée.
 - Coloration anormale du ressort
 - Patte du ressort cassée
 - Ressort tassé
5. Installez un nouveau balai (ou réinstallez le balais actuel) et enfoncez-le doucement à fond dans le trou jusqu'à ce que le clip en laiton se fixe.
6. Installez le capuchon.
7. Répétez de manière identique pour l'autre balai.

REMARQUE : Nous vous conseillons de faire fonctionner la ponceuse sans charge pendant plusieurs minutes pour que les nouveaux balais s'insèrent correctement.

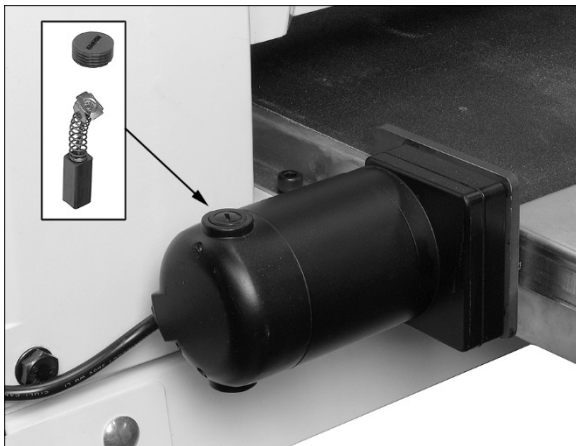


Figure 10-4

10.5 Entretien supplémentaire

Des entretiens supplémentaires doivent être effectués par un technicien de service autorisé.

11.0 Kit d'aligneur (Trackers)

Jeu de 2, N° de pièce : PM2244-213

Les aligneurs réduisent considérablement les réglages de l'alignement des courroies transporteuses. Ils sont déjà préinstallés sur votre ponceuse. L'information suivante concerne le réglage ou le remplacement de vos aligneurs.

1. Débranchez la scie de la source d'alimentation.
2. Levez le cylindre le plus haut possible.
3. Tournez les deux vis de tension du convoyeur pour relâcher la tension de la courroie transporteuse et faites glisser le rouleau entraîné vers l'intérieur.

4. Retirez les 2 vis et desserrez les 2 vis à oreilles maintenant la table du convoyeur à la base de la ponceuse.
5. Soulevez la table du convoyeur et faites-la glisser hors de la ponceuse. Tournez la table du convoyeur à l'envers. Faites attention à ne pas endommager la courroie transporteuse.
6. Sur le dessous de la table du convoyeur, il y a des canaux en U soudés à la table. L'aligneur est positionné à l'intérieur du premier canal en U côté entrée de la ponceuse (Figure 11-1). Le dos de l'aligneur est aimanté et s'aimante contre la paroi de la table du convoyeur. N'installez pas l'aligneur si le bord de la courroie transporteuse est endommagé ou déchiré.

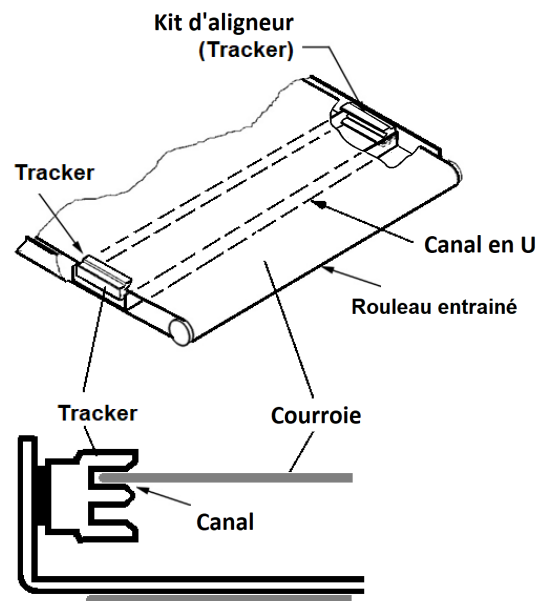


Figure 11-1: Dessous du convoyeur

7. Lorsque le premier aligneur est installé, glissez la courroie transporteuse dans la fente inférieure de l'aligneur. **Remarque** : Lorsqu'elle est correctement installée, seule la lèvre inférieure de l'aligneur est visible. La fente supérieure peut être utilisée si la fente inférieure est usée.
8. Installez le deuxième aligneur à l'opposé du premier. Utilisez les deux aligneurs seulement si le deuxième ne s'adapte pas au convoyeur ou si la courroie transporteuse est endommagée.
9. Retournez à l'endroit la table du convoyeur et replacez-la sur la ponceuse. Refixez trois vis de fixation et serrez-les. **Attention** : Faites attention à ne pas cogner le(s) aligneur(s) hors de la table du convoyeur lorsque vous la retournez. Les aligneurs peuvent se casser s'ils tombent.
10. Assurez-vous que tous les interrupteurs sont désactivés. Connectez l'alimentation à la ponceuse et le moteur.
11. La tension de la courroie transporteuse vient des vis de tension. Si les deux aligneurs sont installés,

il est très important qu'il y ait une tension égale des deux côtés de la courroie transporteuse. Tournez les vis de tension des deux côtés jusqu'à obtention d'une tension égale.

12. Pour vérifier la tension, activez le convoyeur à pleine vitesse et placez les deux mains sur le convoyeur. Si la courroie transporteuse peut être stoppée, poursuivez la tension jusqu'à ce que la courroie transporteuse ne puisse plus être stoppée par les deux mains, et ce à pleine vitesse.
13. Assurez-vous que la courroie transporteuse fonctionne sans à-coups dans la fente de l'aligneur et que l'aimant maintienne l'aligneur en place.
14. Continuez à regarder l'alignement du convoyeur et réglez seulement si nécessaire, en vous assurant de maintenir une tension égale de la courroie transporteuse à tout moment et d'empêcher la courroie transporteuse de se tordre sous la table du convoyeur.

12.0 Abrasifs

Le matériau abrasif que vous avez choisi aura un effet important sur la performance de votre ponceuse. Les variations au niveau du type de papier, poids, revêtement et durabilité contribueront à la réalisation de la finition souhaitée.

12.1 Sélection des abrasifs du cylindre

Pour obtenir des résultats maximum, il est important de sélectionner un grain abrasif correct pour le type de ponçage à effectuer. Comme pour tout ponçage, commencez d'abord le ponçage avec un grain grossier, selon la rugosité du matériau ou de la quantité de matériau à enlever. Puis, travaillez progressivement avec des grains plus fins. Le tableau ci-dessous montre l'utilisation générale des différents grains.

La quantité de matériau à enlever est un élément important dans le choix de la grosseur du grain avec lequel vous commencez. Les grains 24, 36, 50 et 60 sont principalement désignés pour l'enlèvement de matière. Les grains 24 et 36 enlèveront le maximal de matière en une passe, si vous devez raboter, nettoyer des panneaux collés ou d'aplanir de la matière. Les grains 100 à 220 sont principalement des grains de finition conçus pour enlever les dessins de rayures

des grains précédemment utilisés. Pour obtenir les meilleurs résultats, ne sautez jamais plus d'une grosseur de grain lorsque vous avancez dans la séquence de ponçage.

Pour un ponçage plus fin, comme par exemple des meubles, ne sautez pas de grain pendant le ponçage.

En général, une excellente qualité d'abrasif réalisera une meilleure finition avec moins de dessins de rayures visibles.

Remarque : Les grains qui sont trop fin peuvent parfois brunir le bois et laisser une surface brillante empêchant un décapage uniforme. Cela peut varier en fonction du type de bois. Le chêne par exemple, est susceptible de brunir car il a des pores ouverts.

12.2 Nettoyage des bandes abrasives

Nettoyez régulièrement la bande abrasive de cylindre avec des bâtonnets de nettoyage vendus dans le commerce tout en suivant les instructions du fabricant. Lors du nettoyage, brossez également les résidus du bâtonnet du cylindre pendant qu'il tourne.

Dans certains cas, des zones fortement contaminées peuvent être nettoyées avec l'aide d'un bord en plexiglas avec le cylindre en rotation.



Portez toujours des lunettes de protection pendant que vous nettoyez le papier de verre et prenez toutes les précautions pour éviter le contact de vos mains ou vêtement avec le cylindre en rotation.

Les abrasifs sur support en tissu peuvent être nettoyés par trempage dans de l'essence minérale ou un diluant pour peintures entre 20 minutes et une heure ; puis utilisez une brosse pour enlever toute accumulation. Faites sécher complètement les bandes abrasives avant utilisation. Tout solvant utilisé doit être mis au rebut selon la réglementation environnementale en vigueur.

12.3 Augmentation de la durée de vie de l'abrasif

La durée de vie de l'abrasif peut être augmentée non seulement par le nettoyage mais aussi en l'enlevant du cylindre et en la retournant. Pour ce faire, enlevez la bande et utilisez ce qui était l'extrémité arrière comme extrémité avant côté gauche (extérieur) du cylindre. L'inversement de la bande vous donne un nouveau jeu de bords tranchants.

12.4 Guide de sélection d'abrasif

Grain Application commune

24, 36	Rabotage, surfaçage de bois fortement déformés, enlèvement maximal de matière, enlèvement de colle.
40, 60	Planches standard et de revêtement, planches voilées
80	Dimensionnement léger, suppression d'ondulations au rabot.
100	Surfaçage léger.
120	Surfaçage léger, suppression minimale de matériau.
150	Ponçage léger, suppression minimale de matériau.
180	Ponçage de finition seulement, pas pour la suppression de matériau.
220	Ponçage de finition seulement, pas pour la suppression de matériau.

Tableau 2

13.0 Dépannage de la ponceuse à cylindre JWDS-2244OSC-M

Symptôme	Cause possible	Correction *
Le moteur du cylindre ne veut pas démarrer alors que l'interrupteur est activé.	Pas de courant entrant.	Vérifiez les raccordements à la prise ou au panneau de circuit.
	Basse tension.	Vérifiez si tension correcte de la ligne de courant.
	Circuit ouvert dans le moteur ou connexion lâche.	Vérifiez tous les raccordements en plomb du moteur si ouverts ou lâches.
	Dysfonctionnement de l'interrupteur.	Remplacez l'interrupteur.
Le moteur du cylindre ne démarre pas : fusibles grillés ou disjoncteur déclenché.	Court-circuit du cordon de raccordement ou de la prise.	Vérifiez si isolation endommagée ou fils court-circuités du cordon de raccordement ou de la prise.
	Court-circuit dans le moteur ou connexions lâches.	Vérifiez si bornes court-circuitées ou lâches ou isolation usée de toutes les connexions du moteur.
	Fusible incorrect ou disjoncteur de la ligne de courant.	Installez le fusible correct ou le disjoncteur.
Moteur du cylindre en surchauffe.	Circulation de l'air à travers moteur restreinte.	Nettoyez le ventilateur du moteur avec de l'air comprimé pour rétablir une circulation d'air normale.
	Moteur surchargé (SandSmart™ ne fonctionne pas correctement).	Vérifiez et réparez les commandes.
Le moteur du cylindre cale, entraînant des fusibles grillés ou déclenchement du disjoncteur.	Court-circuit dans le moteur ou connexions lâches.	Vérifiez si bornes court-circuitées ou lâches ou isolation usée des connexions du moteur.
	Basse tension.	Corrigez l'état basse tension.
	Fusible incorrect ou disjoncteur de la ligne de courant.	Installez le fusible correct ou le disjoncteur.
Bruit répétitif, fort ou vibrations venant de la machine.	Fixations desserrées.	Vérifiez les fixations et resserrez si nécessaire.
	Le ventilateur du moteur cogne le couvercle.	Serrez le ventilateur ou calez le couvercle du ventilateur.
	Machine pas à niveau.	Placez la ponceuse sur un sol plan ; calez-la si nécessaire.
Le moteur du convoyeur cale.	Profondeur de coupe excessive.	Réduisez la profondeur de coupe ; utilisez un grain grossier ; réduisez la vitesse d'avance.
La courroie transporteuse ne bouge pas.	Le coupleur d'arbre est lâche ou détaché.	Régalez le coupleur de l'arbre.
Les rouleaux du convoyeur fonctionnent par intermittence.	L'accouplement de l'arbre est lâche.	Alignez les parties plates de l'arbre du moteur à engrenages et le rouleau entraînant et serrez les vis d'arrêt de l'accouplement du bras.
La courroie transporteuse glisse du rouleau entraînant.	Tension incorrecte de la courroie transporteuse.	Régalez la tension de la courroie.
	Profondeur de coupe et/ou vitesse d'avance excessive.	Réduisez la profondeur de coupe et/ou vitesse d'avance.
La bande abrasive se détache du cylindre.	Mou de la bande abrasive sur le cylindre.	Supprimez le mou de la bande.
	Abrasif mal enroulé.	Lire le chapitre concernant l'installation de l'abrasif et de son enroulement.

Symptôme	Cause possible	Correction *
La bande abrasive est lâche.	La bande est coincée à l'intérieur du bord de la fente ou côté interne du cylindre.	Réajustez l'extrémité de la bande dans la fente et/ou taillez le bord de l'abrasif.
	La bande ne coupe pas proprement.	Recoupez et ré-installez la bande abrasive.
L'abrasif charge prématurément.	Profondeur de coupe excessive.	Réduisez la profondeur de coupe.
	Vitesse d'avance excessive.	Réduisez la vitesse d'avance.
	Collecte de poussière inadaptée.	Augmentez le débit d'air au port de poussière.
	Abrasif inadapté.	Utilisez un abrasif à couche ouverte.
Ligne ou strie sur le matériau.	Vitesse d'avance irrégulière.	N'arrêtez ou ne changez pas la vitesse d'avance pendant l'alimentation en matériau.
Rainures.	Tension incorrecte des rouleaux.	Retendez les rouleaux.
La ponceuse brûle le bois.	La bande abrasive se superpose.	Enroulez à nouveau la bande abrasive.
	L'abrasif est chargé.	Nettoyez l'abrasif.
	Profondeur de coupe excessif pour grain fin.	Utilisez un grain grossier ou réduisez la profondeur de coupe.
	Vitesse d'avance trop lente.	Augmentez la vitesse d'avance.
	L'abrasif est usé.	Remplacez l'abrasif.
La plaque glisse de la courroie transporteuse.	Tension des rouleaux trop élevée.	Abaissez la tension des rouleaux.
	Vitesse d'avance excessive.	Réduisez la vitesse d'avance.
	Courroie transporteuse usée ou sale.	Remplacez la courroie transporteuse.
Ondulations sur la surface poncée. A. Ondulations non espacées uniformément. B. Ondulations espacées uniformément.	A. Vitesse d'avance irrégulière.	Glissement de la courroie transporteuse (voir ci-dessus) La plaque glisse de la courroie transporteuse. (voir ci-dessus) Le moteur du convoyeur cale. (voir ci-dessus)
	B. Vibration ou fléchissement de la table du convoyeur.	Réduisez la profondeur de coupe et/ou vitesse d'avance. Vérifiez si boulons lâchers, vis de réglage lâche d'accouplement d'arbre ou déséquilibre du cylindre.
Le bois est sillonné.	Glissement du matériau du convoyeur.	Corrigez la profondeur de coupe ou la tension du rouleau.
	La pièce à usiner n'est pas maintenue correctement.	Ajoutez des supports pour pièces longues.

* **ATTENTION:** Certaines corrections doivent être effectuées par un électricien qualifié.

Tableau 3

14.0 Accessoires en option pour JWDS-2244OSC-M

723551 Tables d'entrée / sortie pliantes pour JWDS-2244OSC-M / JWDS-2550-M
723552 Affichage numérique

This page is intentionally blank

This page is intentionally blank



TOOL FRANCE SARL

9 Rue des Pyrénées, 91090 LISSES, France